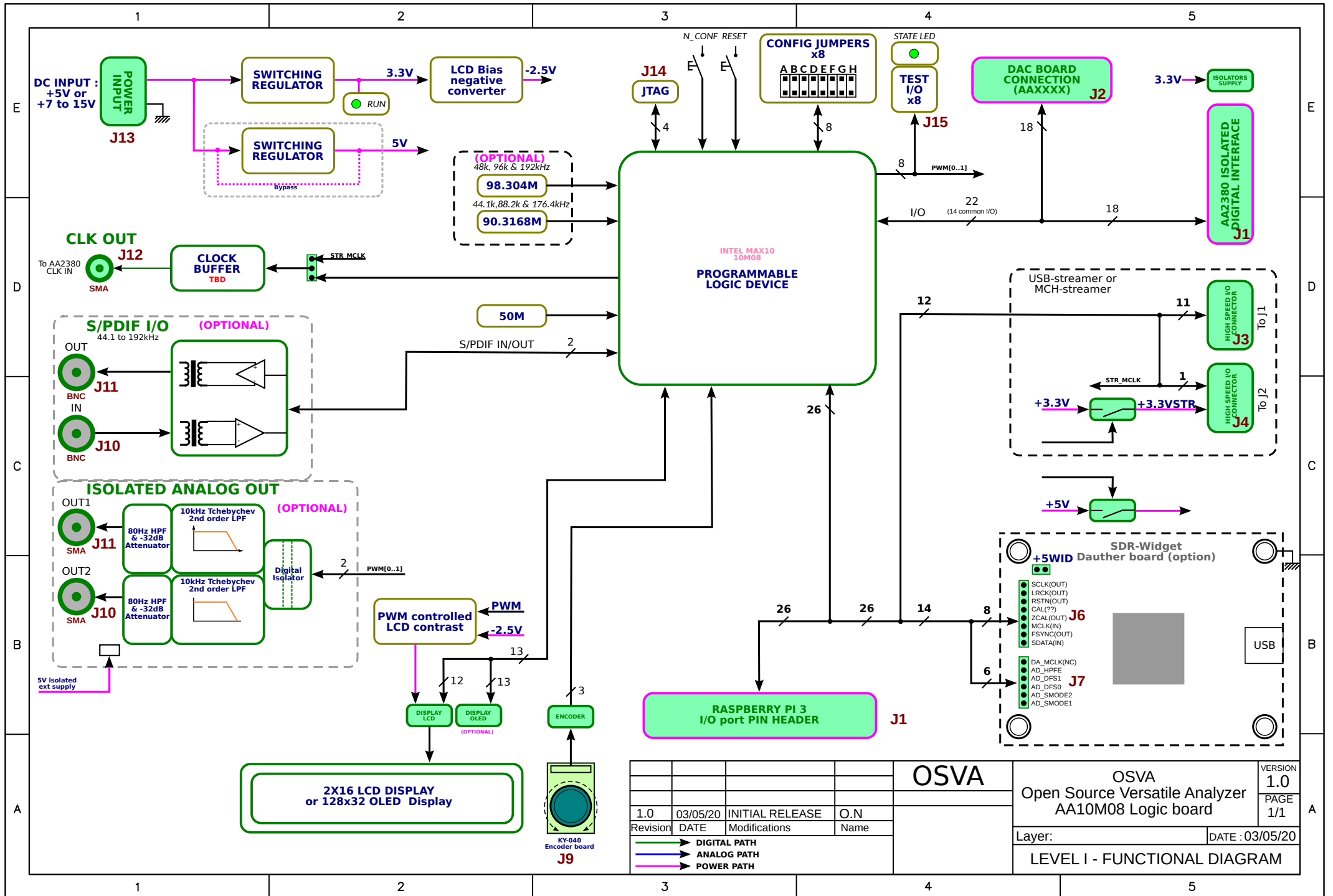


OSVA - Open Source Versatile Analyzer -- AA10M08 Board



Revision	DATE	Modifications	Name
1.0	03/05/20	INITIAL RELEASE	O.N

OSVA		OSVA Open Source Versatile Analyzer AA10M08 Logic board	VERSION 1.0 PAGE 1/1
Layer:		DATE : 03/05/20	
LEVEL I - FUNCTIONAL DIAGRAM			

- DIGITAL PATH
- ANALOG PATH
- POWER PATH