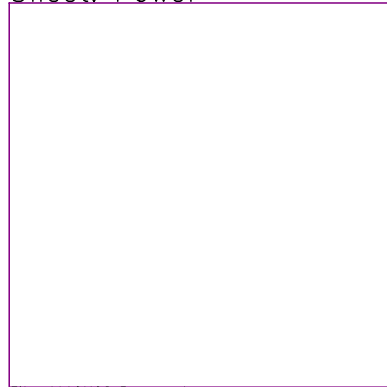
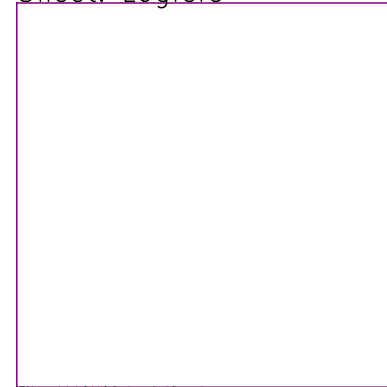


Sheet: Power



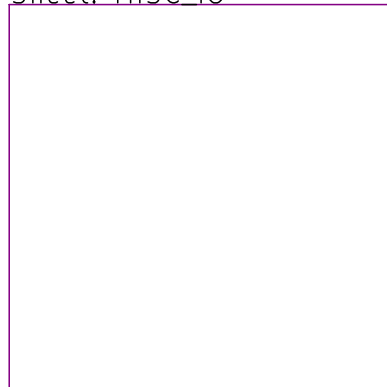
File: AA10M08_Power.sch

Sheet: LogicIO



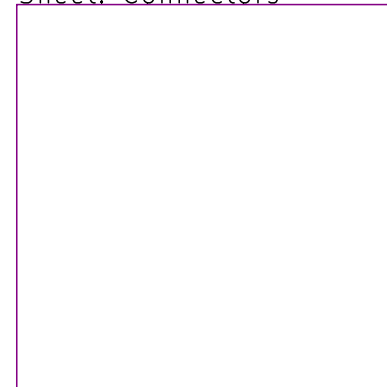
File: AA10M08_LogicIO.sch

Sheet: MISC_IO





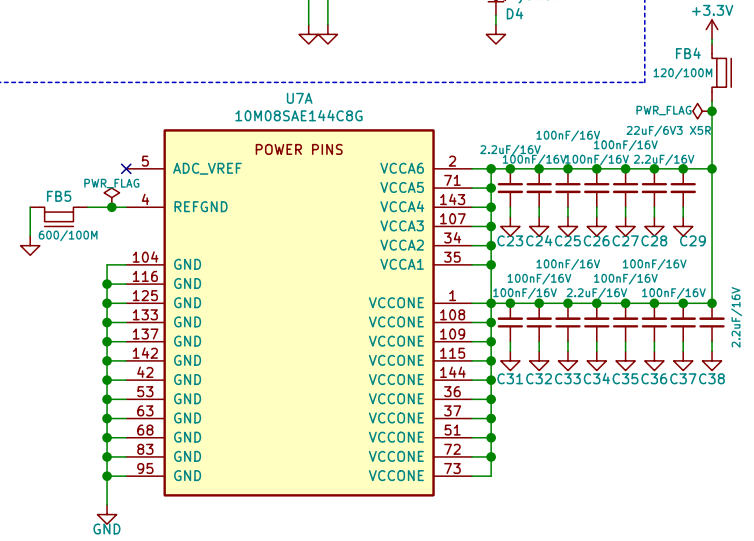
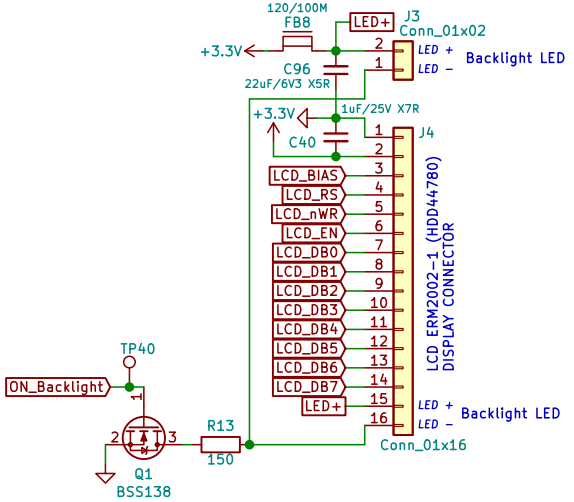
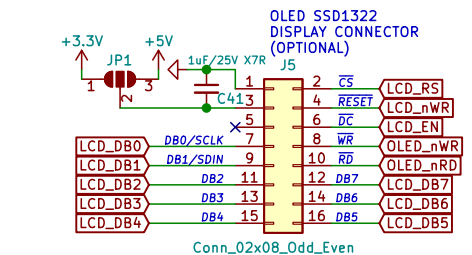
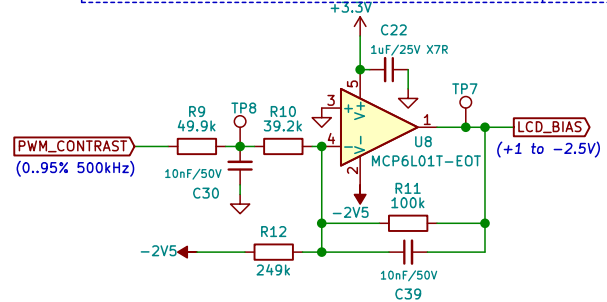
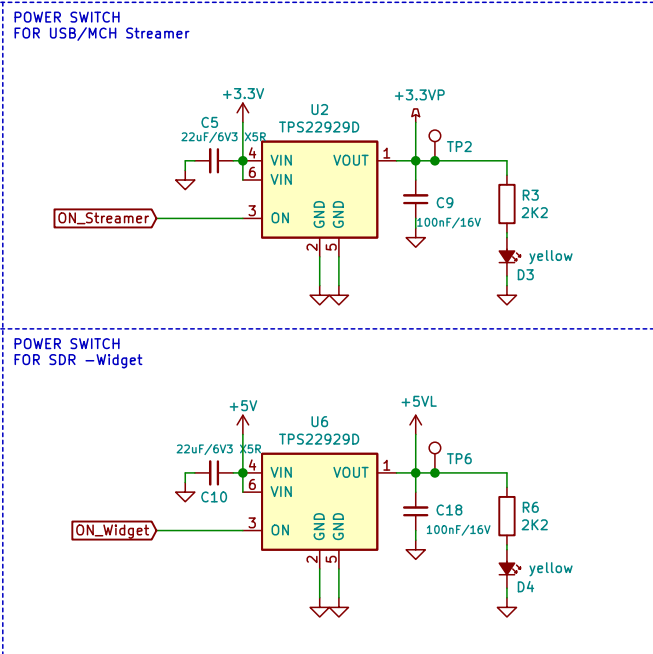
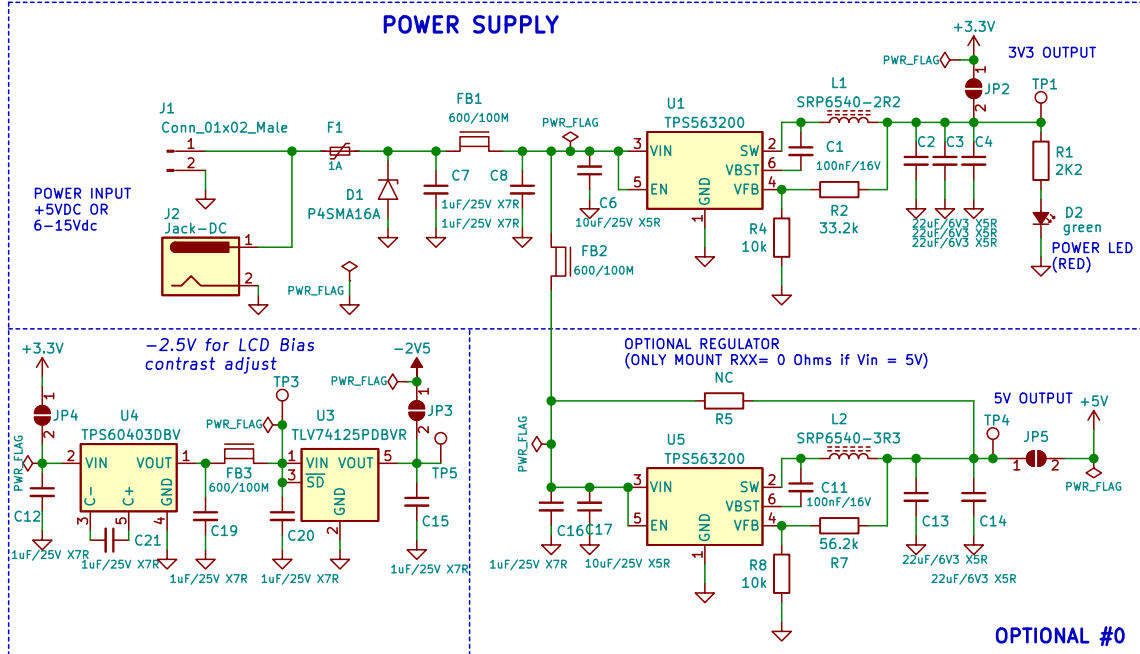
File: AA10M08_MISC_IO.sch

Sheet: Connectors



File: AA10M08_Connectors.sch

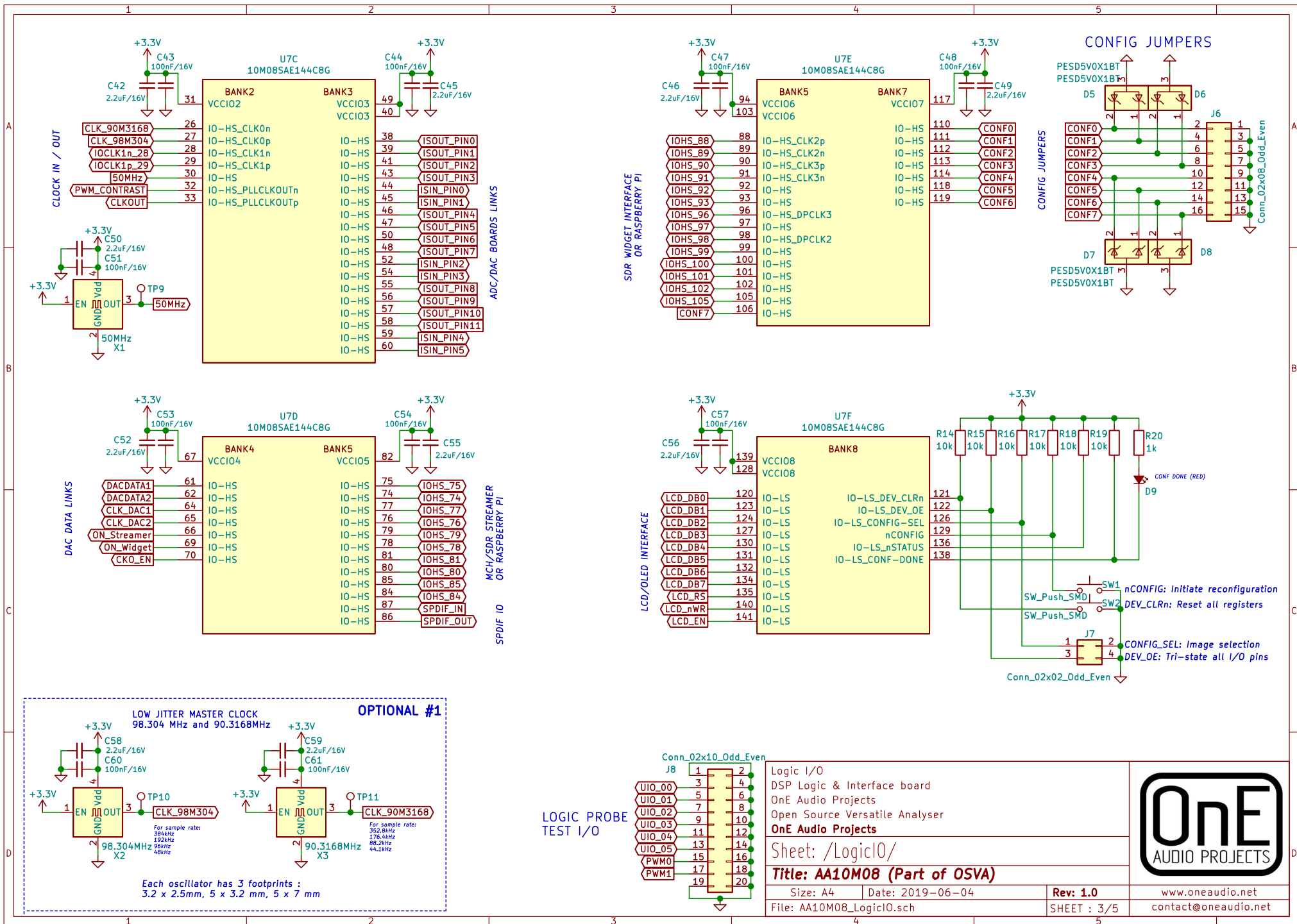
Hierarchical view			
DSP Logic & Interface board OnE Audio Projects Open Source Versatile Analyser OnE Audio Projects			
Sheet: /			
Title: AA10M08 (Part of OSVA)			
Size: A4	Date: 2019-06-04	Rev: 1.0	www.oneaudio.net
File: AA10M08.sch		SHEET : 1/5	contact@oneaudio.net

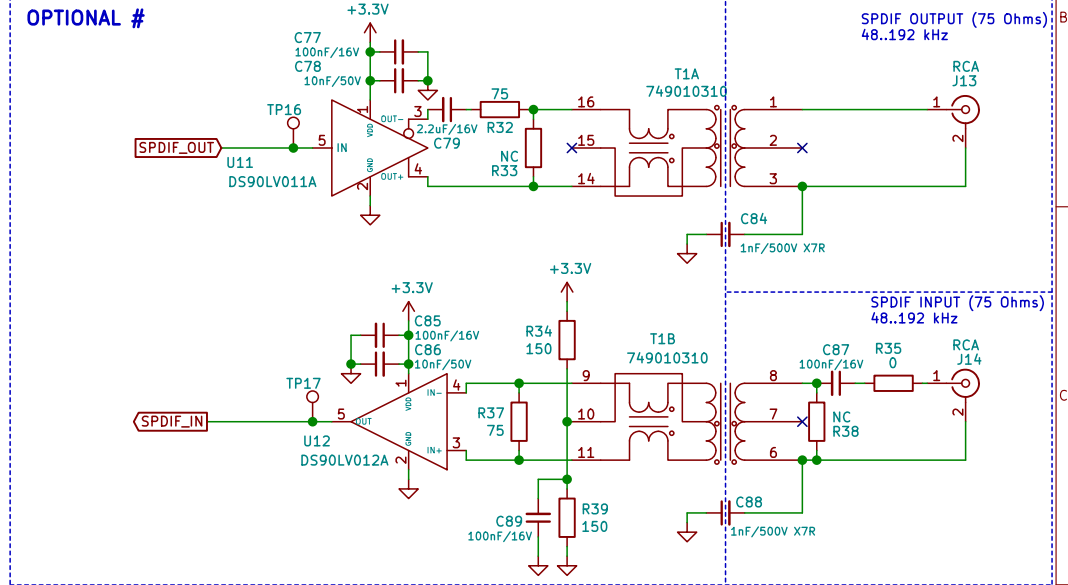
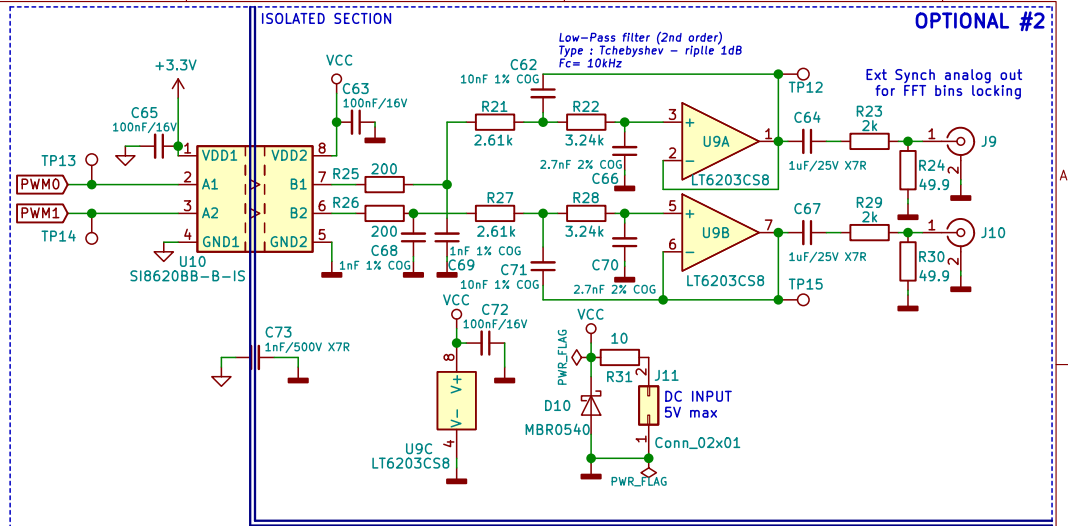
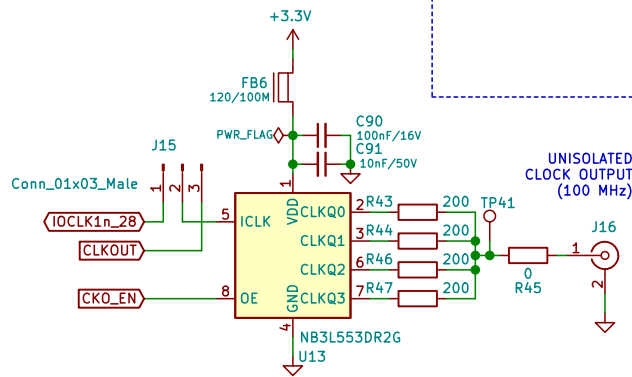
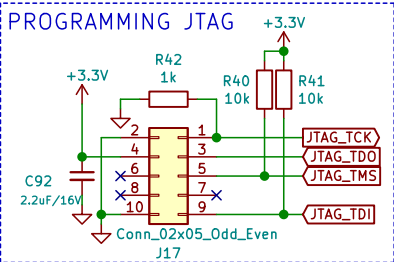
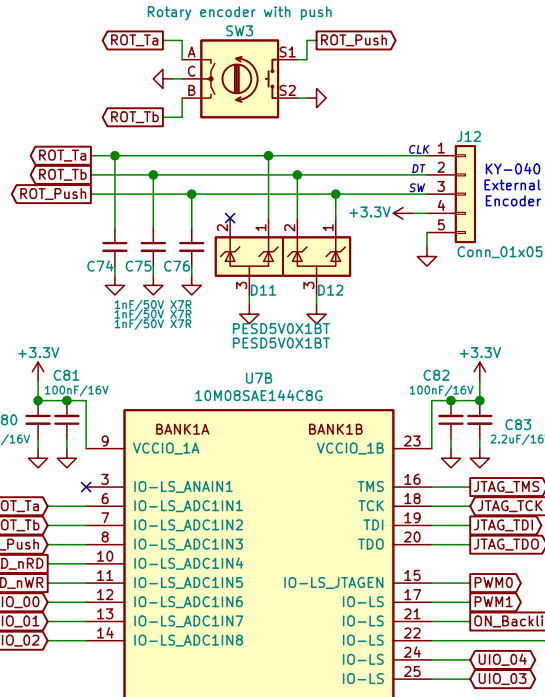


Power supply
 DSP Logic & Interface board
 OnE Audio Projects
 Open Source Versatile Analyser
OnE Audio Projects
 Sheet: /Power/
Title: AA10M08 (Part of OSA)
 Size: A4 Date: 2019-06-04 Rev: 1.0
 File: AA10M08_Power.sch SHEET : 2/5



www.oneaudio.net
 contact@oneaudio.net





Miscellaneous IO
DSP Logic & Interface board
OnE Audio Projects
Open Source Versatile Analyser
OnE Audio Projects

Sheet: /MISC_IO/

Title: AA10M08 (Part of OSVA)

Size: A4 Date: 2019-06-04

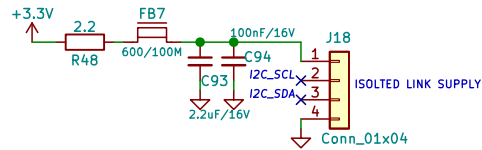
File: AA10M08_MISC_IO.sch

Rev: 1.0

SHEET : 4/5

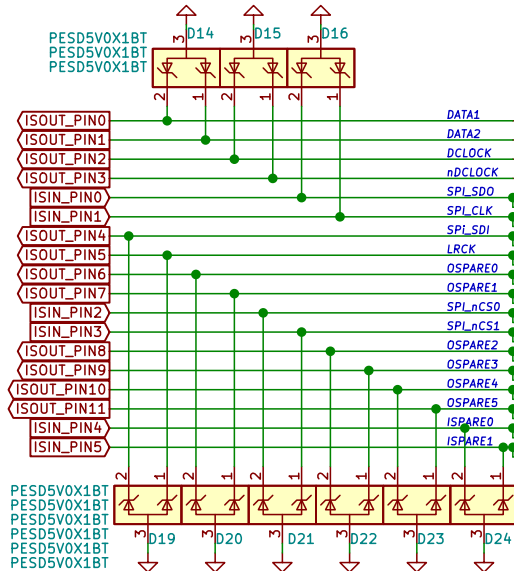


www.oneaudio.net
contact@oneaudio.net

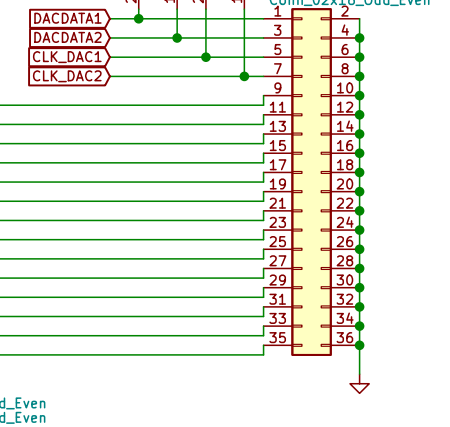


AA2380 I/O LINK

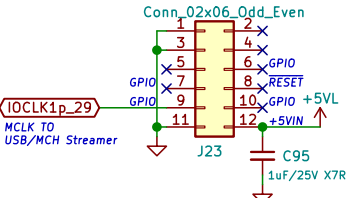
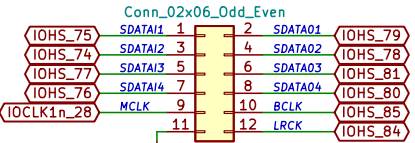
- ISOUT_PIN0 ~ TP18
- ISOUT_PIN1 ~ TP19
- ISOUT_PIN2 ~ TP20
- ISOUT_PIN3 ~ TP21
- ISIN_PIN0 ~ TP22
- ISIN_PIN1 ~ TP23
- ISOUT_PIN4 ~ TP24
- ISOUT_PIN5 ~ TP25
- ISOUT_PIN6 ~ TP26
- ISOUT_PIN7 ~ TP27
- ISIN_PIN2 ~ TP28
- ISIN_PIN3 ~ TP29
- ISOUT_PIN8 ~ TP30
- ISOUT_PIN9 ~ TP31
- ISOUT_PIN10 ~ TP32
- ISOUT_PIN11 ~ TP33
- ISIN_PIN4 ~ TP34
- ISIN_PIN5 ~ TP35



DAC I/O LINK

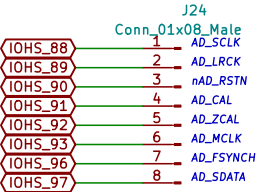


USB or MCH STREAMER I/O LINK

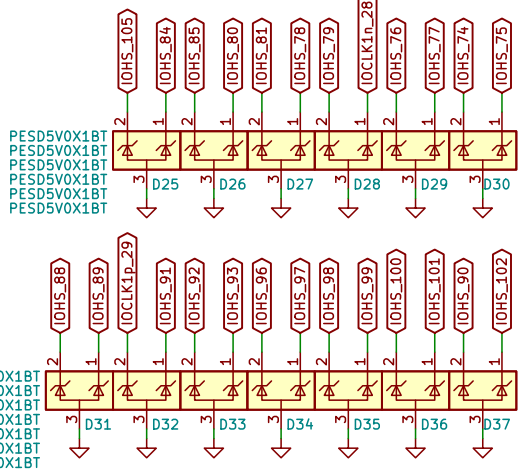
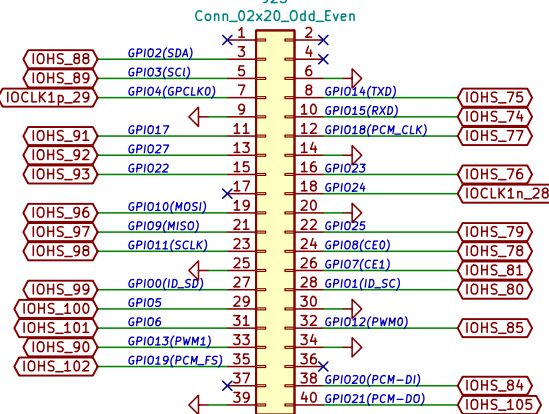


CONNECTEURS
A PAS FIN !!!

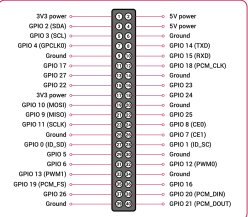
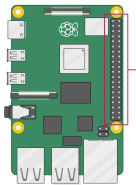
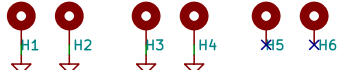
SDR-WIDGET I/O LINK



RASPBERRY PI 3 LINK



MOUNTING HOLES



Interface input/output ports
 DSP Logic & Interface board
 OnE Audio Projects
 Open Source Versatile Analyser
OnE Audio Projects

Sheet: /Connectors/
Title: AA10M08 (Part of OSA)

Size: A4 Date: 2019-06-04
 File: AA10M08_Connectors.sch

Rev: 1.0
 SHEET : 5/5



www.oneaudio.net
 contact@oneaudio.net