

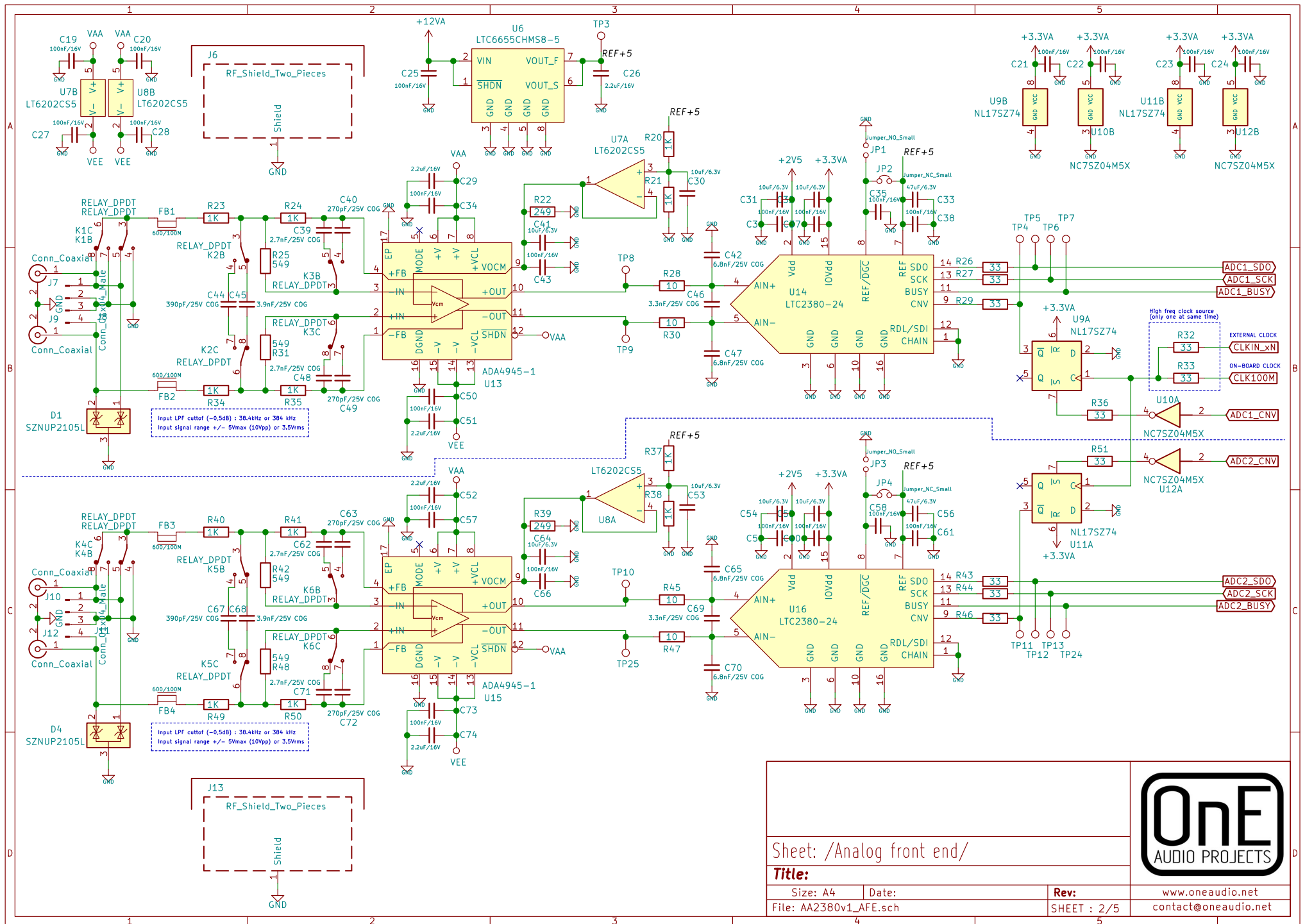
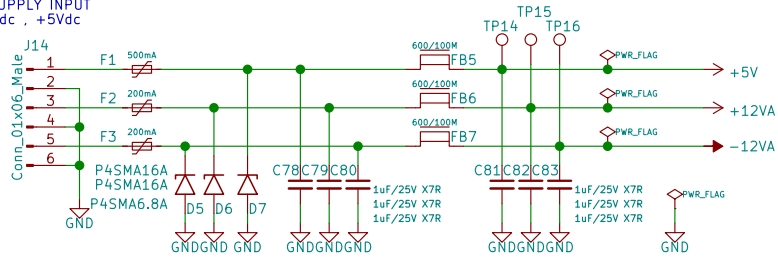


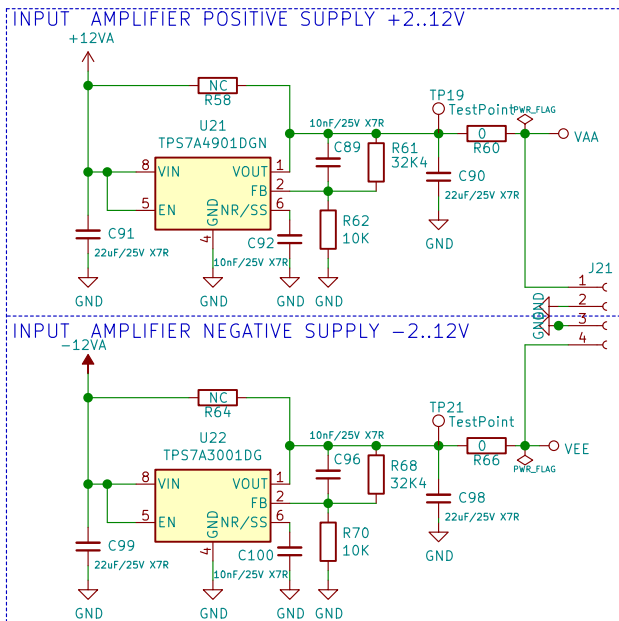
Stand alone SAR ADC board Open Source Versatile Analyzer OnE Audio PRojects			
Sheet: /			
Title: AA2380 OSVA ADC board			
Size: A4	Date: 2018-11-10	Rev: 1.0 Beta	www.oneaudio.net
File: AA2380V1.sch		SHEET : 1/5	contact@oneaudio.net



POWER SUPPLY INPUT
+/- 12Vdc , +5Vdc

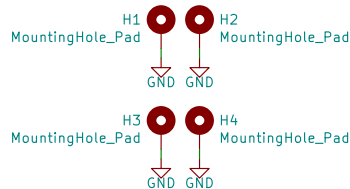
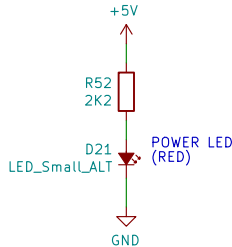


FRONT-END ANALOG SUPPLY

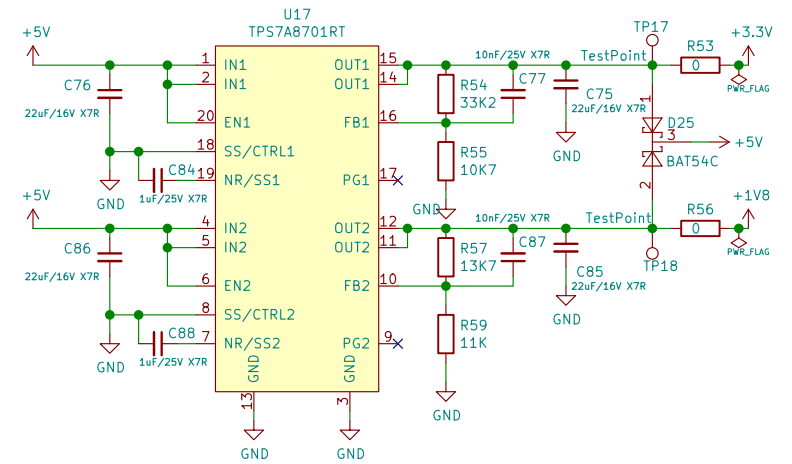


$$t_{start}(ms) = 1.4 \times C_{nr}(nF)$$

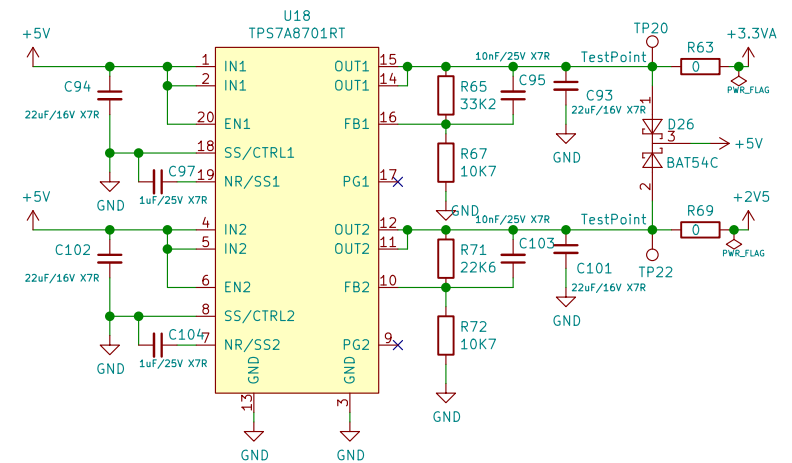
$$R_{upper} = 10K \times ((V_{out}/1.18) - 1)$$



CPLD SUPPLY

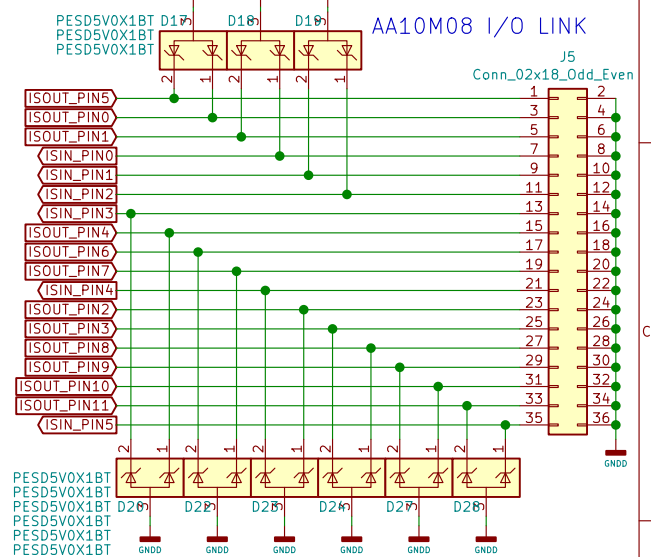
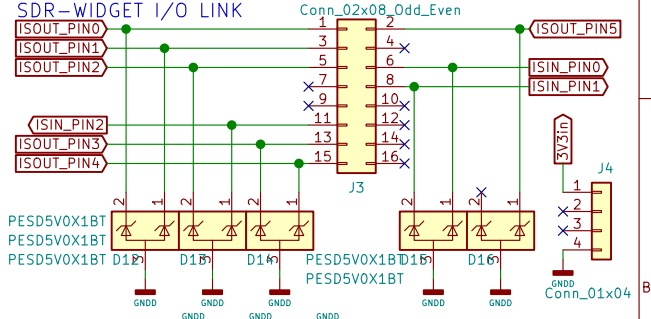
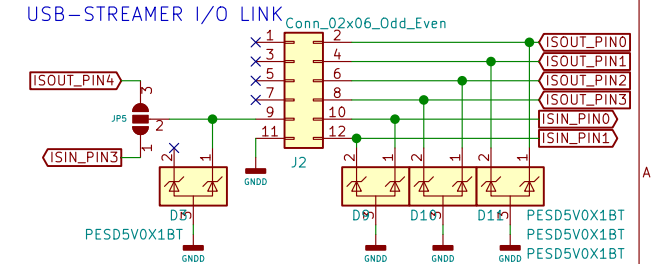
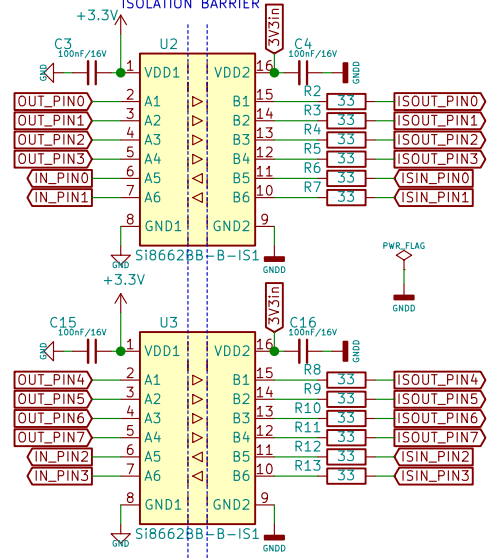
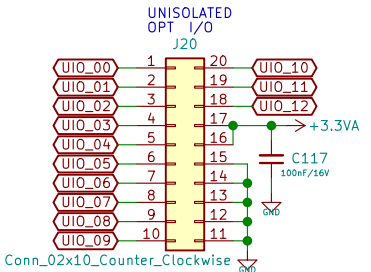
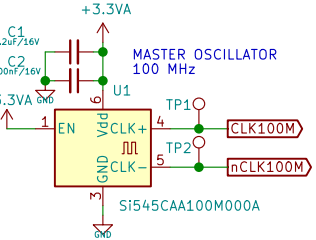
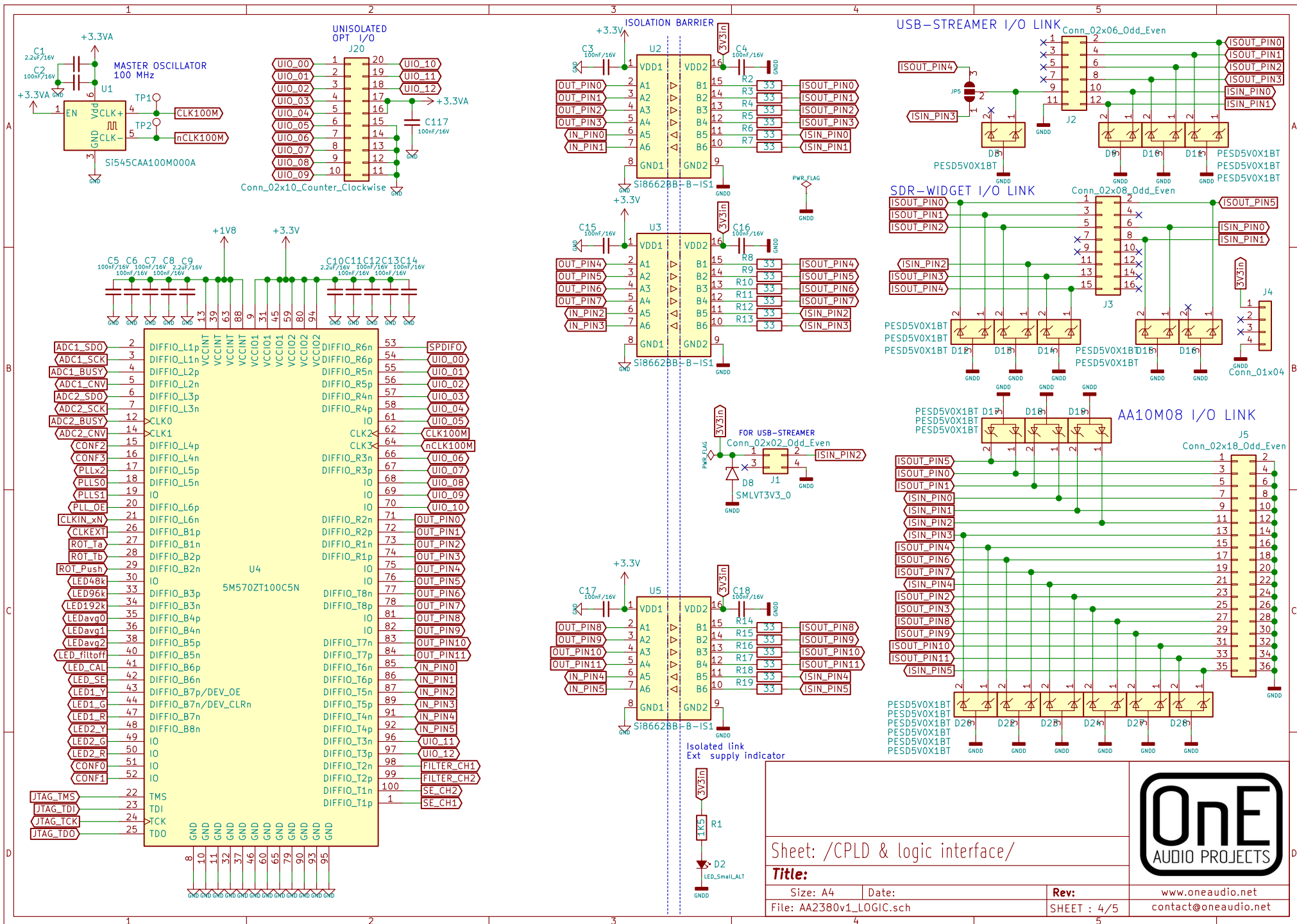


ADC's SUPPLY



Sheet: /Power supply/		Rev:		www.oneaudio.net
Size: A4	Date:	Rev:	www.oneaudio.net	
File: AA2380v1_Power.sch		SHEET : 3/5	contact@oneaudio.net	





ADC1_SDO	2	DIFFIO_L1p	53	SPDIFO
ADC1_SCK	3	DIFFIO_L1n	54	U10_00
ADC1_BUSY	4	DIFFIO_L2p	55	U10_01
ADC1_CNV	5	DIFFIO_L2n	56	U10_02
ADC2_SDO	6	DIFFIO_L3p	57	U10_03
ADC2_SCK	7	DIFFIO_L3n	58	U10_04
ADC2_BUSY	12	CLK0	61	U10_05
ADC2_CNV	14	CLK1	62	CLK100M
CONF2	15	CLK2	64	nCLK100M
CONF3	16	DIFFIO_L4p	66	U10_06
PLLx2	17	DIFFIO_L4n	67	U10_07
PLLS0	18	DIFFIO_L5p	68	U10_08
PLLS1	19	IO	69	U10_09
PLL_OE	20	IO	70	U10_10
CLKIN_xN	21	DIFFIO_L6p	71	OUT_PIN0
CLKEXT	26	DIFFIO_L6n	72	OUT_PIN1
ROT_Ta	27	DIFFIO_B1p	73	OUT_PIN2
ROT_Tb	28	DIFFIO_B2p	74	OUT_PIN3
ROT_Push	29	DIFFIO_B2n	75	OUT_PIN4
LED48k	30	IO	76	OUT_PIN5
LED96k	33	DIFFIO_B3p	77	OUT_PIN6
LED192k	34	DIFFIO_B3n	78	OUT_PIN7
LEDavg0	35	DIFFIO_B4p	81	OUT_PIN8
LEDavg1	36	DIFFIO_B4n	82	OUT_PIN9
LEDavg2	38	DIFFIO_B5p	83	OUT_PIN10
LED_filtOff	40	DIFFIO_B5n	84	OUT_PIN11
LED_CAL	41	DIFFIO_T6n	85	IN_PIN0
LED_SE	42	DIFFIO_T6p	86	IN_PIN1
LED1_Y	43	DIFFIO_T5n	87	IN_PIN2
LED1_G	44	DIFFIO_T5p	89	IN_PIN3
LED1_R	47	DIFFIO_T4n	91	IN_PIN4
LED2_Y	48	DIFFIO_T4p	92	IN_PIN5
LED2_G	49	IO	96	U10_11
LED2_R	50	IO	97	U10_12
CONF0	51	IO	98	FILTER_CH1
CONF1	52	IO	99	FILTER_CH2
JTAG_TMS	22	TMS	100	SE_CH2
JTAG_TDI	23	TDI	1	SE_CH1
JTAG_TCK	24	TCK		
JTAG_TDO	25	TDO		

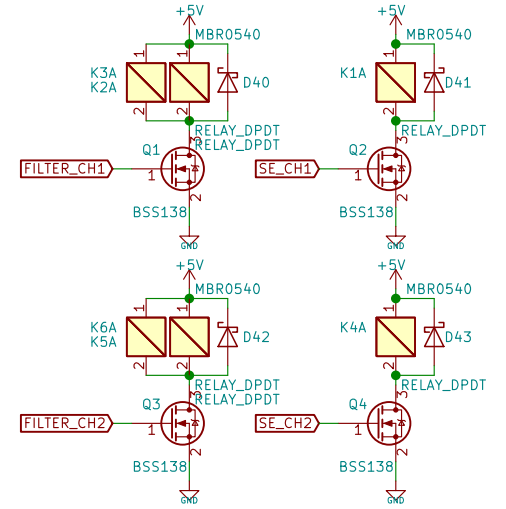
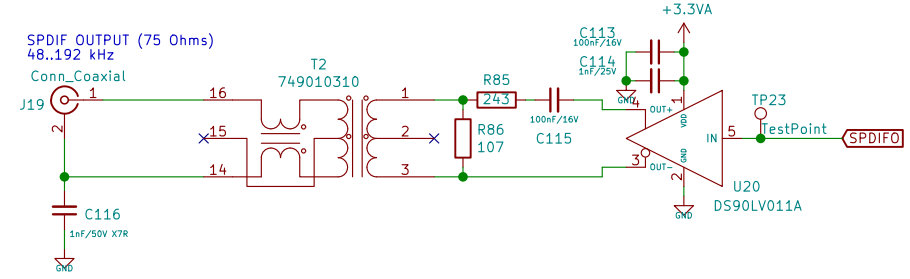
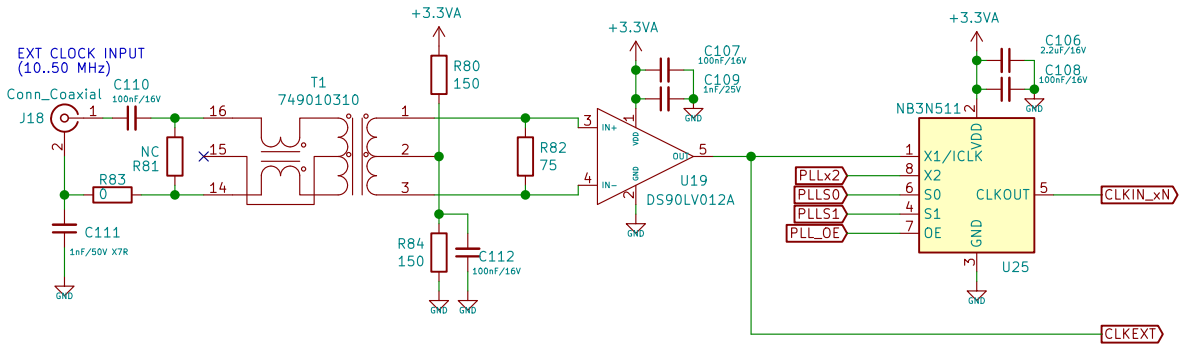
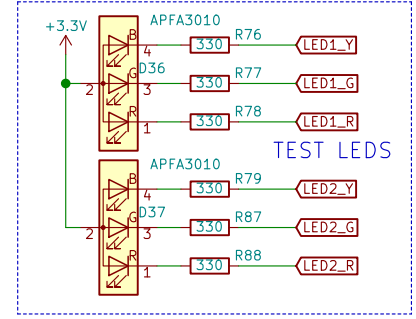
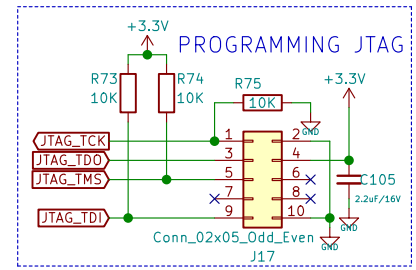
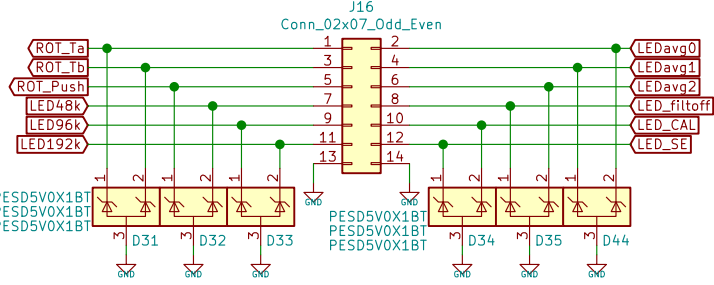
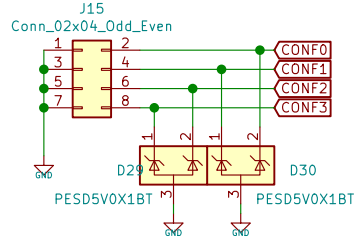
Sheet: /CPLD & logic interface/

Title:

Size: A4	Date:	Rev:	www.oneaudio.net
File: AA2380v1_LOGIC.sch	SHEET : 4/5		contact@oneaudio.net

STAND ALONE I/O

CONFIG JUMPERS



Sheet: /Board digital I/O/			
Title:			
Size: A4	Date:	Rev:	www.oneaudio.net
File: AA2380v1_IO.sch		SHEET : 5/5	contact@oneaudio.net