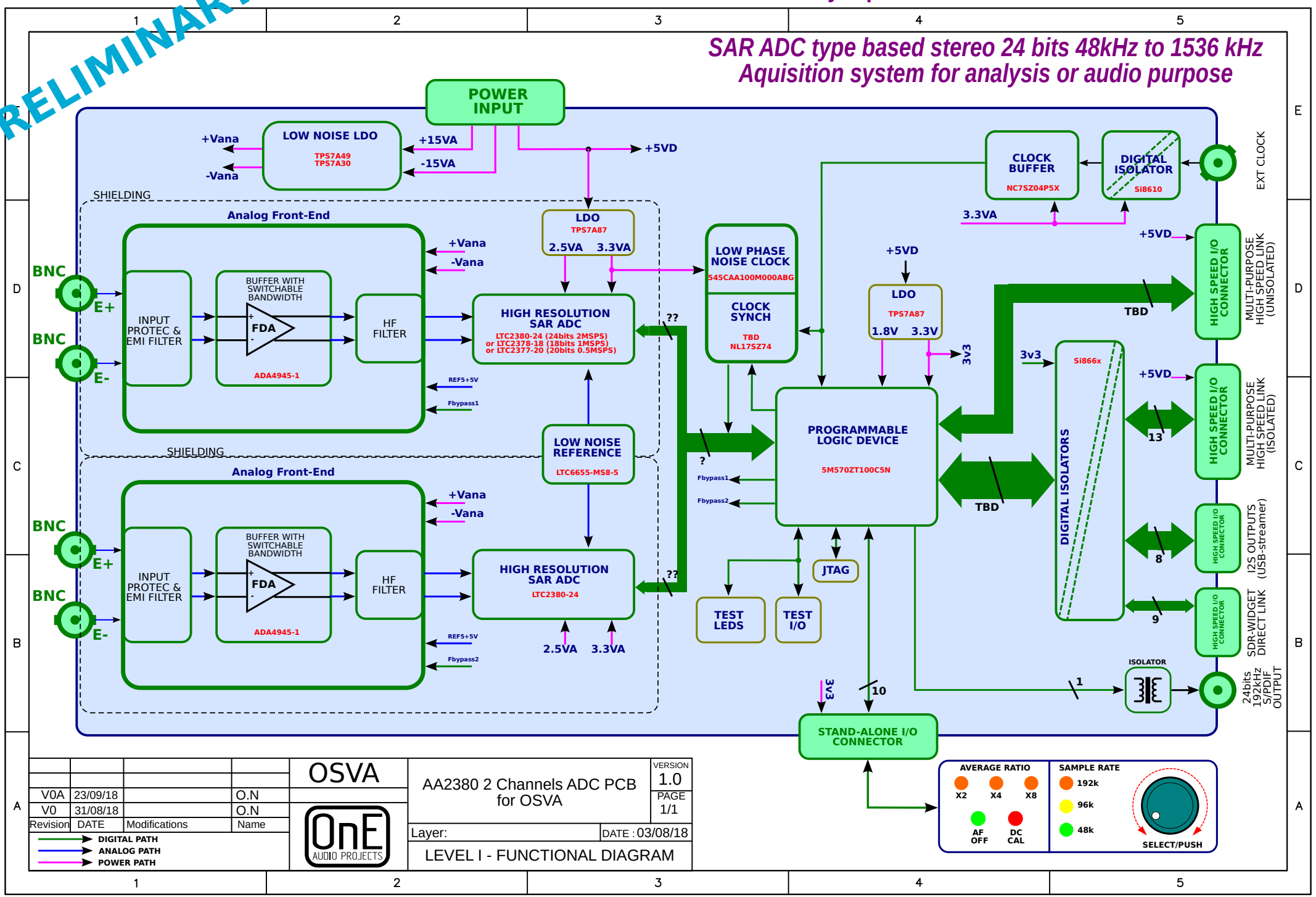


OSVA - AA2380 ADC PCB Functional synoptic

PRELIMINARY

**SAR ADC type based stereo 24 bits 48kHz to 1536 kHz
Aquisition system for analysis or audio purpose**



				OSVA 	AA2380 2 Channels ADC PCB for OSVA		VERSION 1.0 PAGE 1/1
VOA	23/09/18		O.N		Layer:	DATE : 03/08/18	
VO	31/08/18		O.N	LEVEL I - FUNCTIONAL DIAGRAM			
Revision	DATE	Modifications	Name				

AVERAGE RATIO X2 X4 X8			SAMPLE RATE 192k 96k 48k	
AF OFF DC CAL				