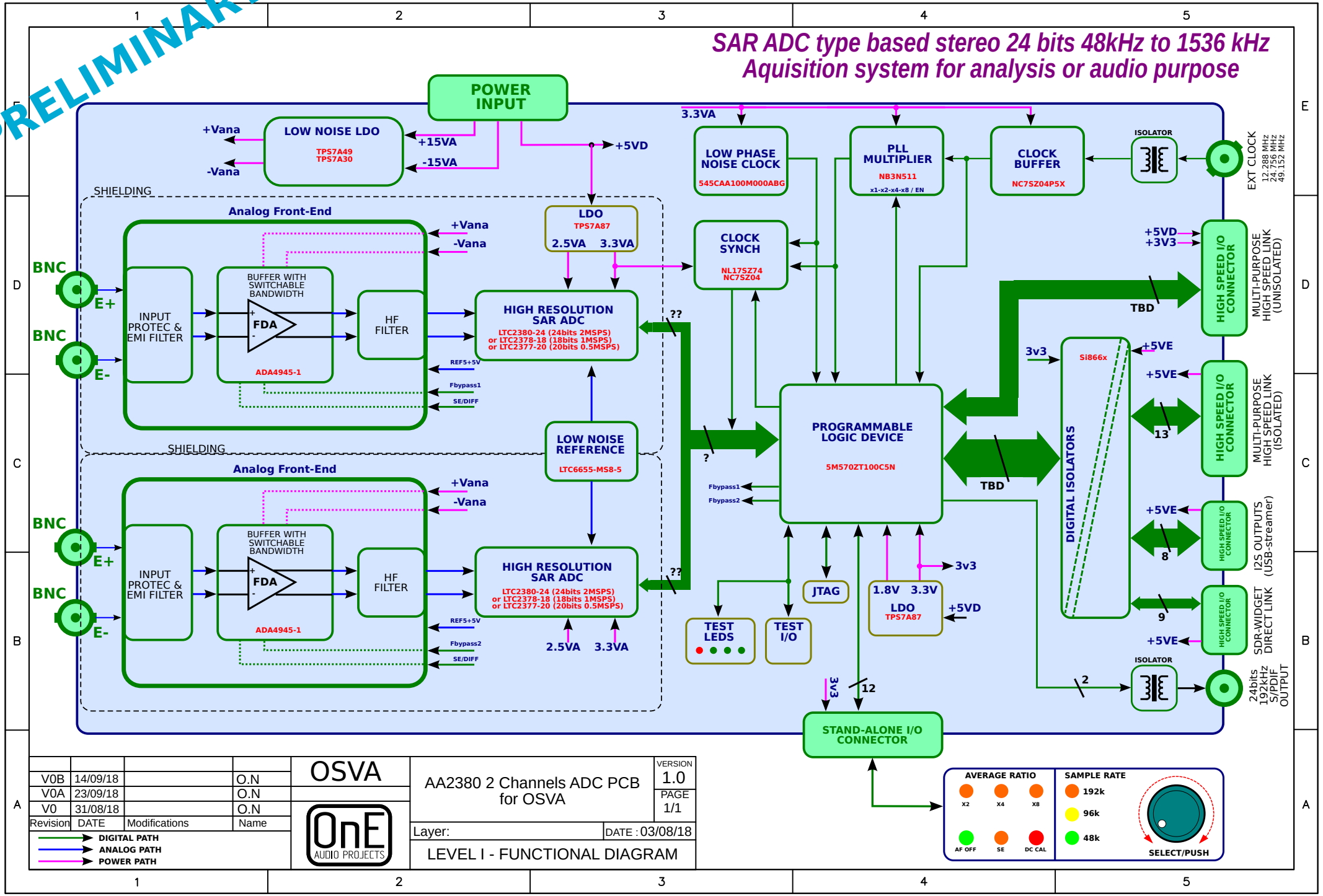


OSVA - AA2380 ADC PCB Functional synoptic

SAR ADC type based stereo 24 bits 48kHz to 1536 kHz
Aquisition system for analysis or audio purpose

PRELIMINARY



V0B	14/09/18		O.N		AA2380 2 Channels ADC PCB for OSVA	VERSION	1.0
V0A	23/09/18		O.N			PAGE	1/1
V0	31/08/18		O.N				
Revision	DATE	Modifications	Name		Layer:	DATE : 03/08/18	
LEVEL I - FUNCTIONAL DIAGRAM							

- DIGITAL PATH
- ANALOG PATH
- POWER PATH

AVERAGE RATIO ● X2 ● X4 ● X8 ● AF OFF ● SE ● DC CAL			SAMPLE RATE ● 192k ● 96k ● 48k	