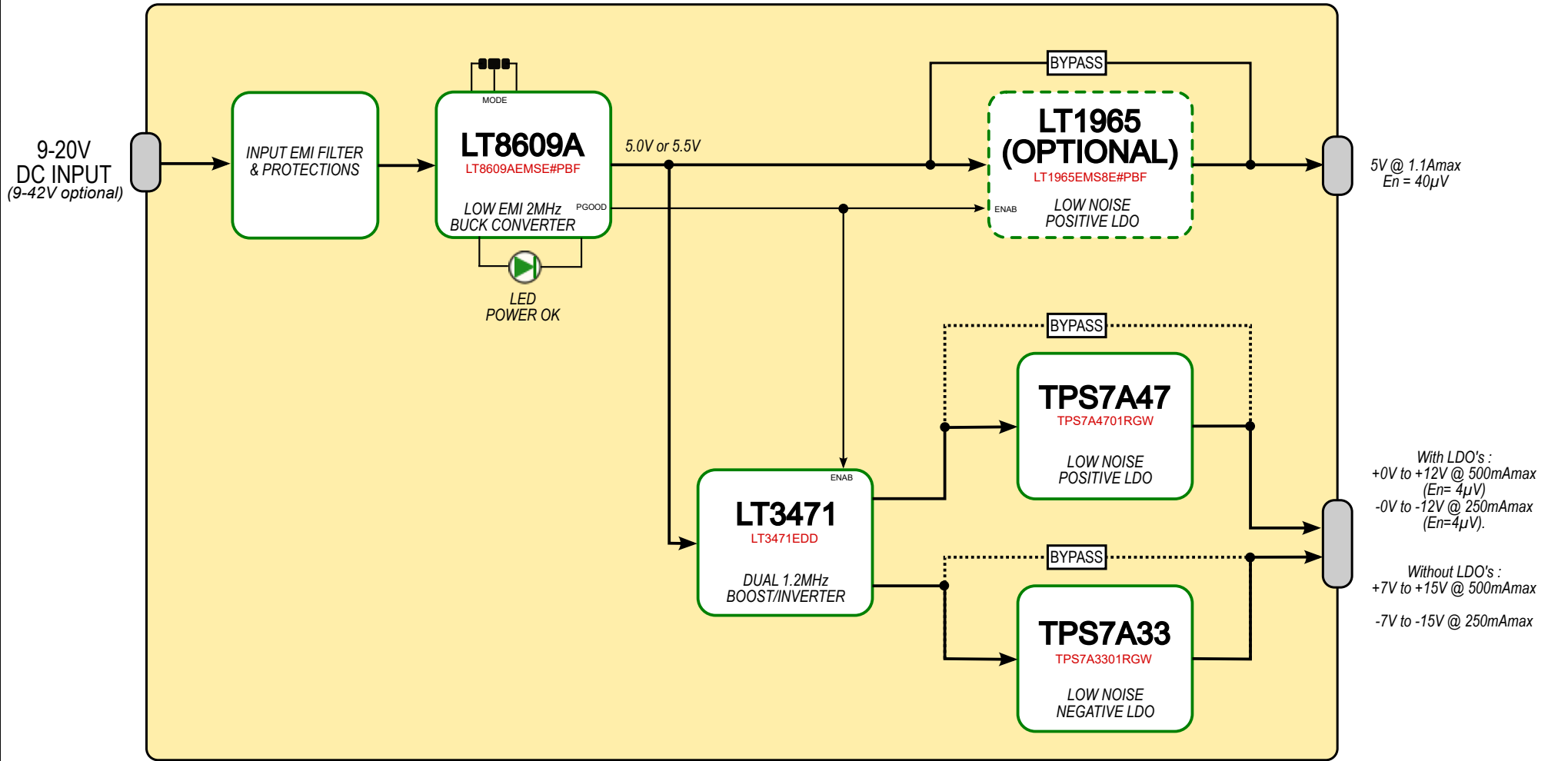


AAPSU01 Low Noise SMPS board



PRELIMINARY

				OSVA		AAPSU01 Low noise SMPS		VERSION
						iDC IN 9-20V Outputs: 5V@1A		1.0
						+0/+12V 500mA , 0/-12V 250mA		PAGE
1.00	04/06/19			O.N				1/1
Revision	DATE	Modifications		Name		Layer:		DATE : 27/07/18
						LEVEL I - FUNCTIONAL DIAGRAM		