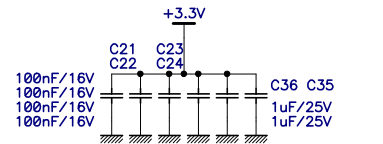


CONFIG JUMPERS ON X10

J1 : Calibration mode
 J2 : Relays fast mode
 J3 : UART link Enable

TEST I/O CONNECTOR

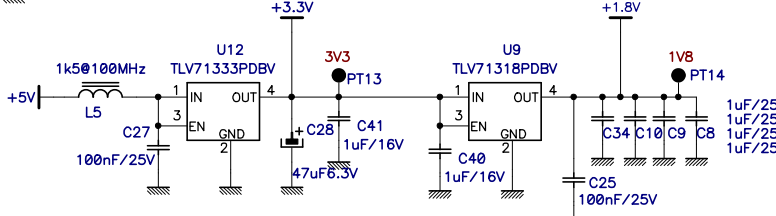
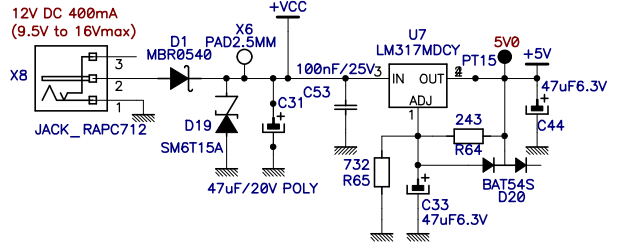
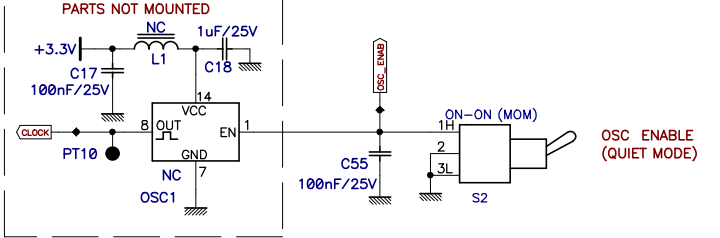
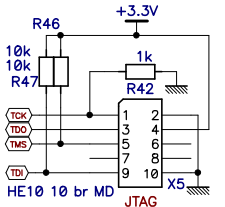
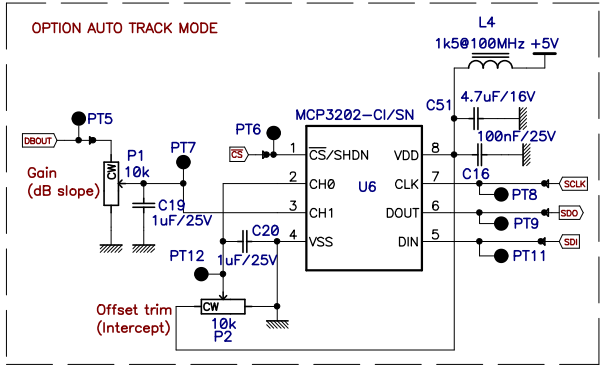
NC
 X9
 X10



R44 = 0 Ohms if tracking mode enable
 if not, don't mount R44.

HC06 Bluetooth UART PCB

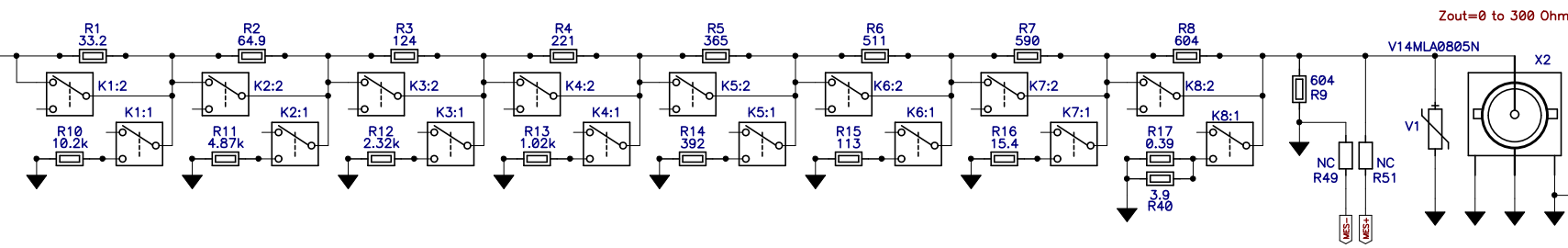
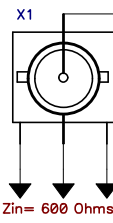
X16-1 : +3.3V
 X16-2 : GND
 X16-3 : HC06 TX
 X16-5 : HC06 RX



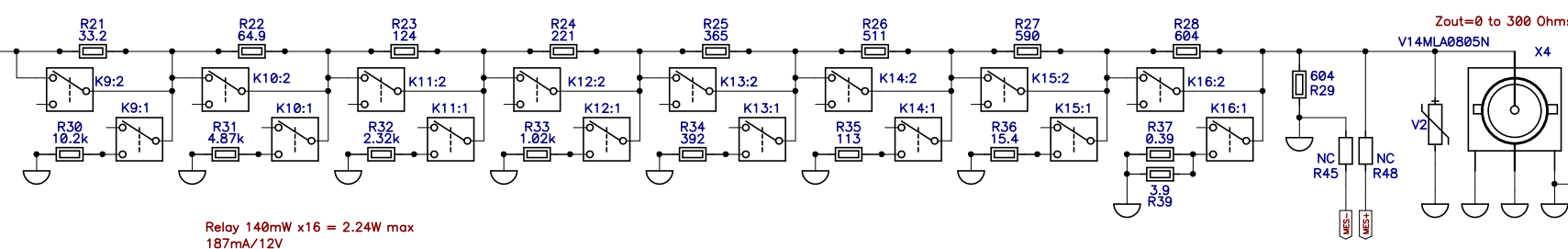
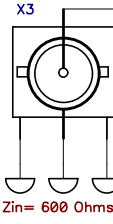
		AT2380		DIY		Version 2.01	
				0 to -127.5dB Digital 2 channels		Page 1/3	
				Stepped attenuator			
				Sheet 1		Tue Jan 30, 2018	
				e-mail: contact@oneaudio.net			
				www.oneaudio.net			
Ver	Date	Nom					
2.01	30/01/18	ON					
2.00	10/11/17	ON					
1.01	10/09/17	ON					
1.00	01/05/17	ON					



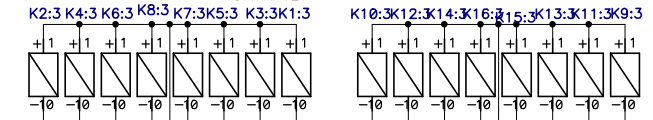
CHANNEL 1



CHANNEL 2



Relay 140mW x16 = 2.24W max
187mA/12V

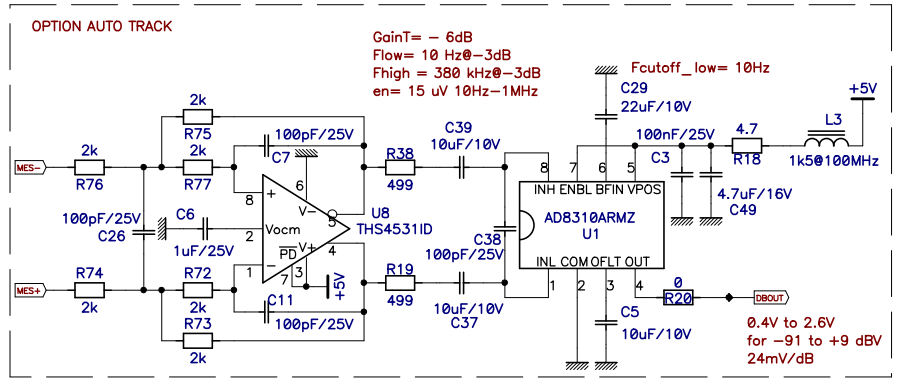
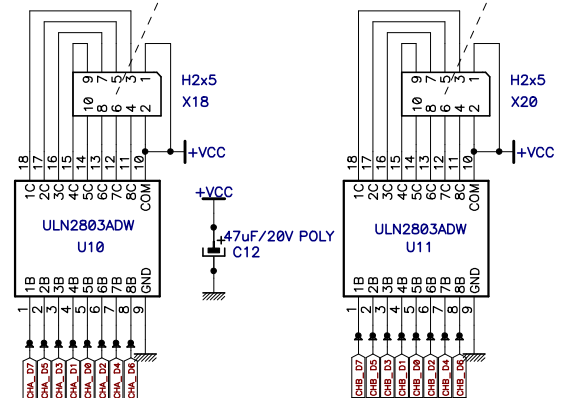


H2x5 X19

H2x5 X21

Flat wires on bottom

Flat wires on bottom



		AT2380		DIY		Version 2.01	
				0 to -127.5dB Digital 2 channels		Page 2 / 3	
				Stepped attenuator			
				Sheet 2		Tue Jan 30, 2018	
				e-mail: contact@oneaudio.net			
				www.oneaudio.net			

