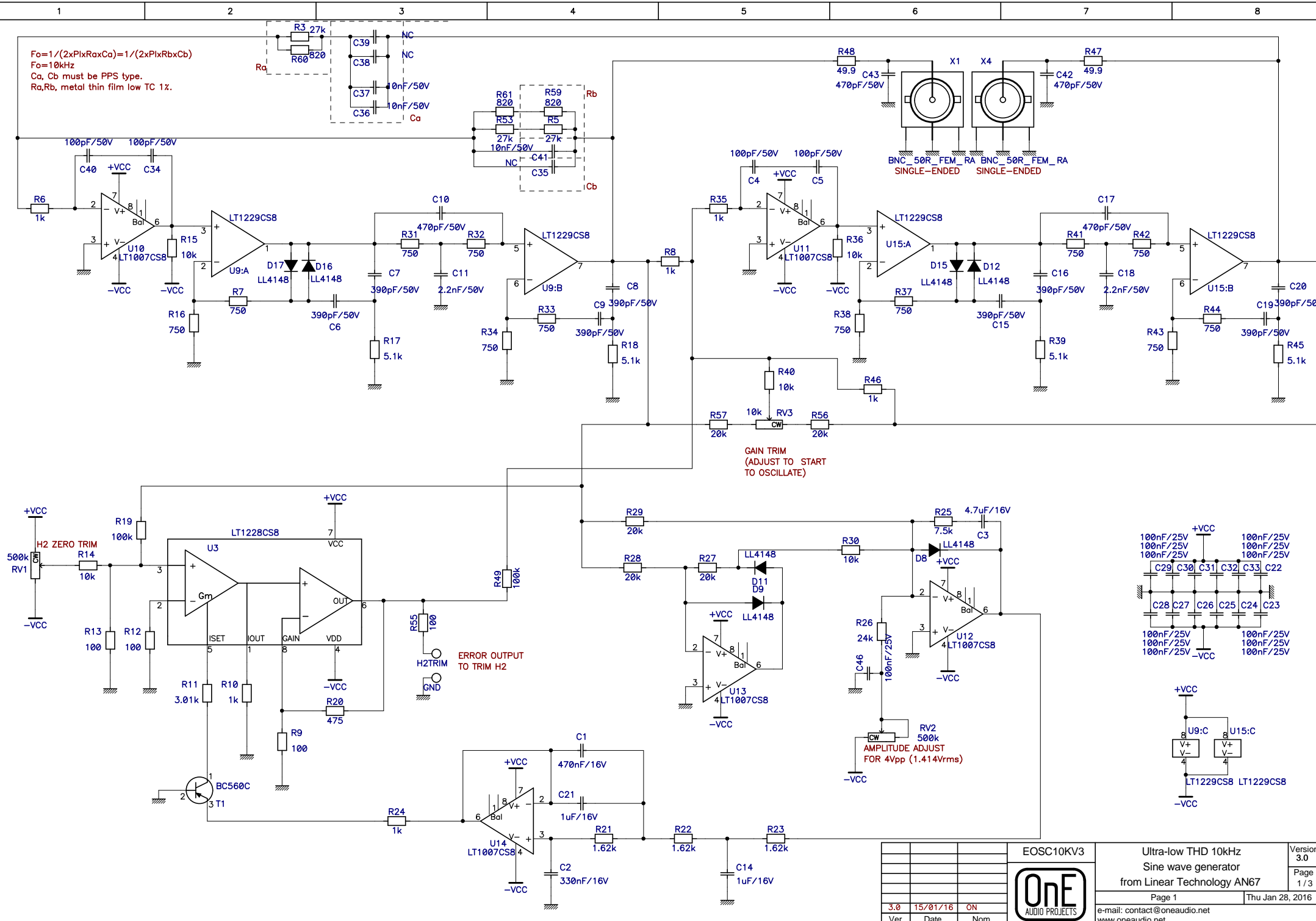
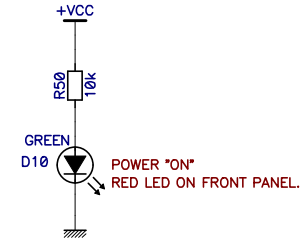
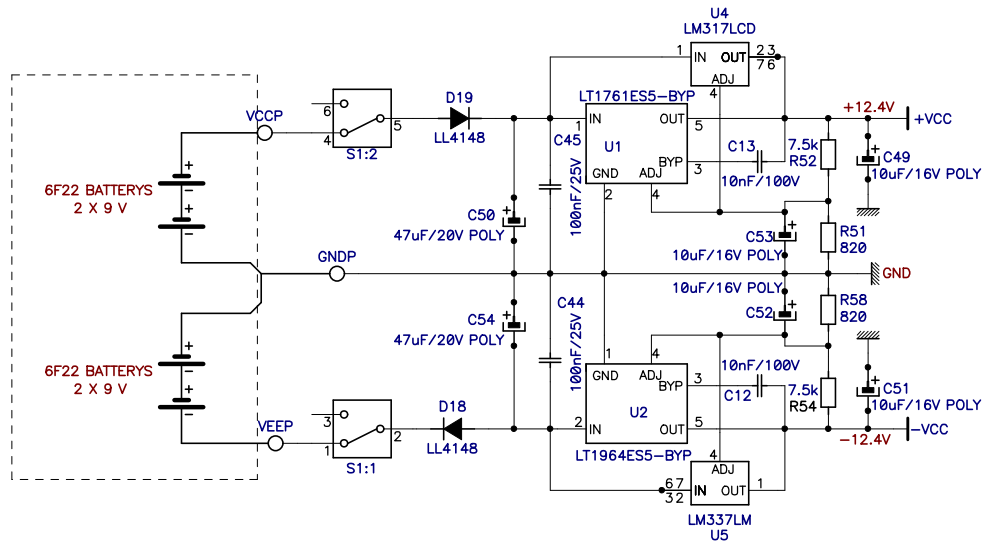



$F_o = 1 / (2 \times \pi \times R_a \times C_a) = 1 / (2 \times \pi \times R_b \times C_b)$
 $F_o = 10\text{kHz}$
 C_a, C_b must be PPS type.
 R_a, R_b , metal thin film low TC 1%.



EOSC10KV3			Ultra-low THD 10kHz Sine wave generator from Linear Technology AN67		Version 3.0
			Page 1		Page 1 / 3
3.0 Ver 15/01/16 Date ON Nom			Thu Jan 28, 2016		
			e-mail: contact@oneaudio.net www.oneaudio.net		



			EOSC10KV3		Ultra-low THD 10kHz Sine wave generator from Linear Technology AN67		Version 3.0
					Page 2		Page 2 / 3
					Thu Jan 28, 2016		
3.0	20/01/16	ON	e-mail: contact@oneaudio.net				
Ver	Date	Nom	www.oneaudio.net				