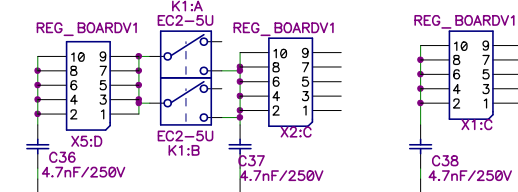
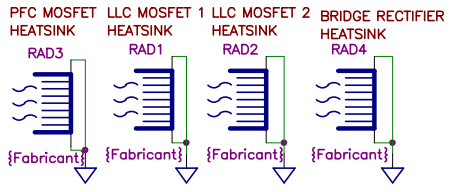
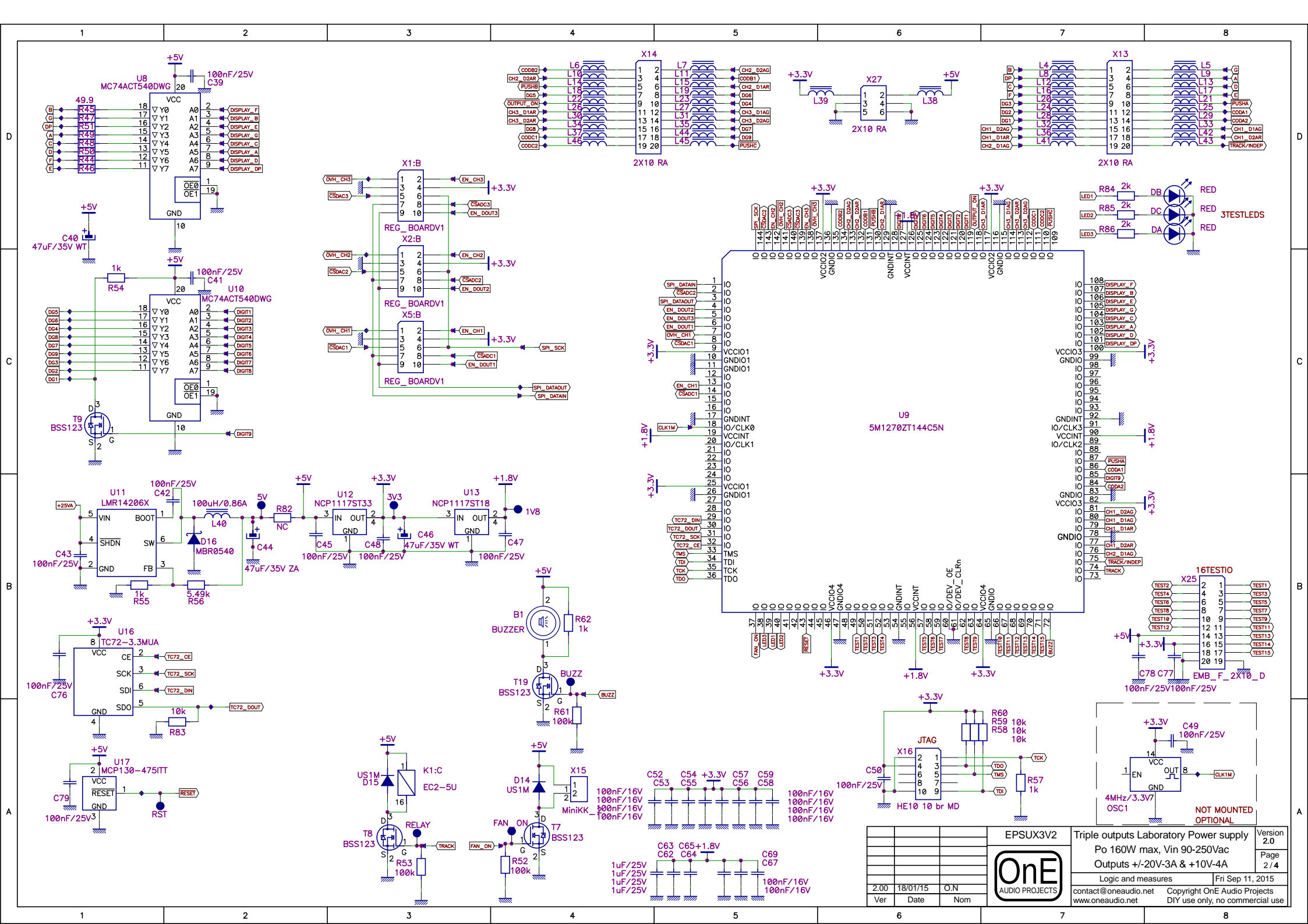


▲ = COOLING REQUIRED

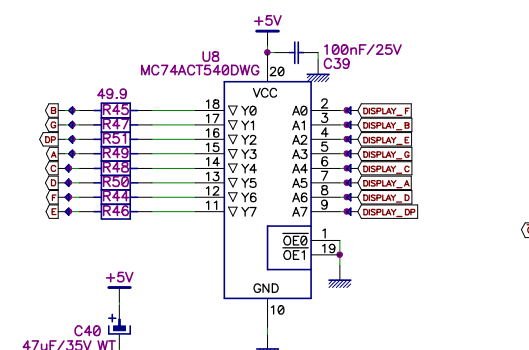
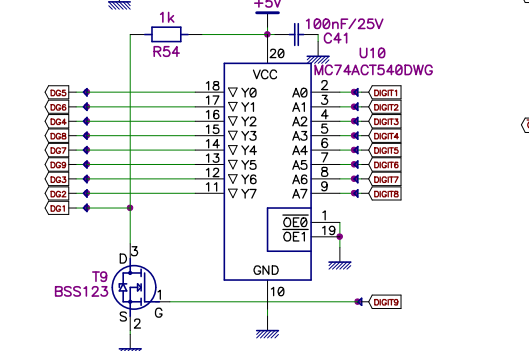
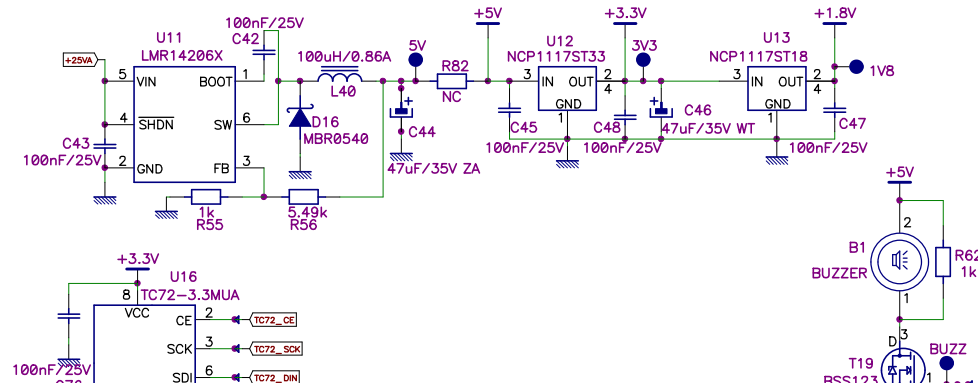
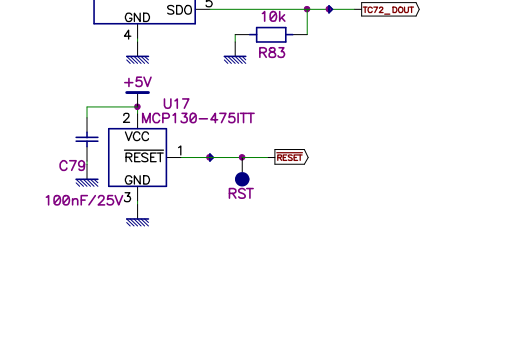
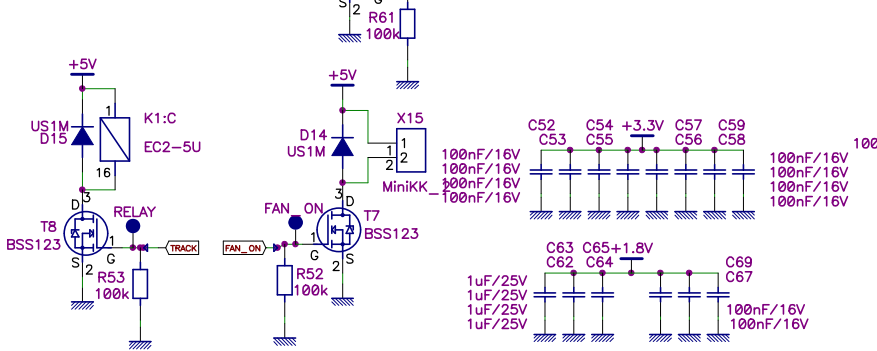
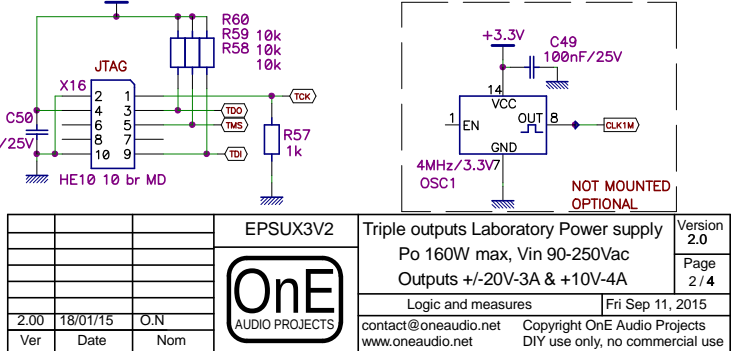
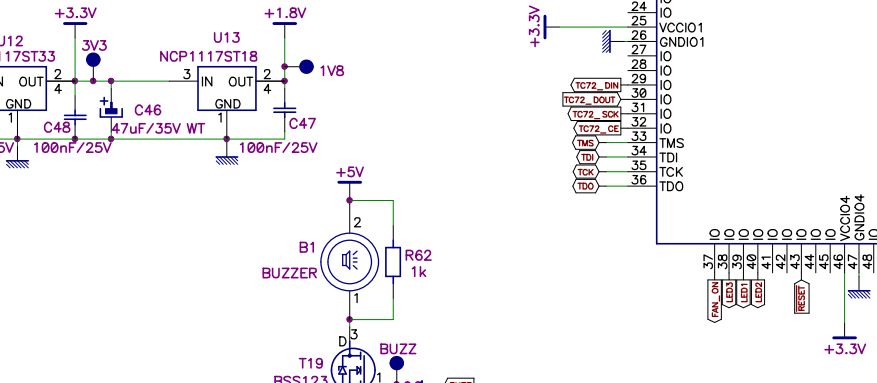
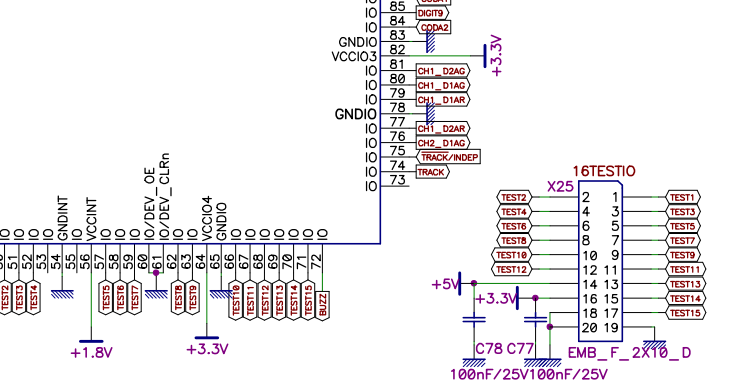
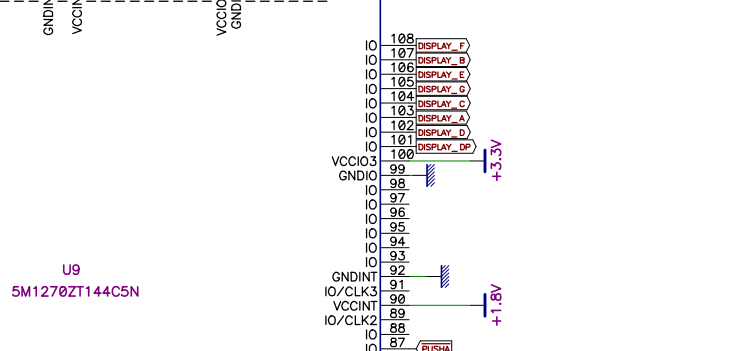
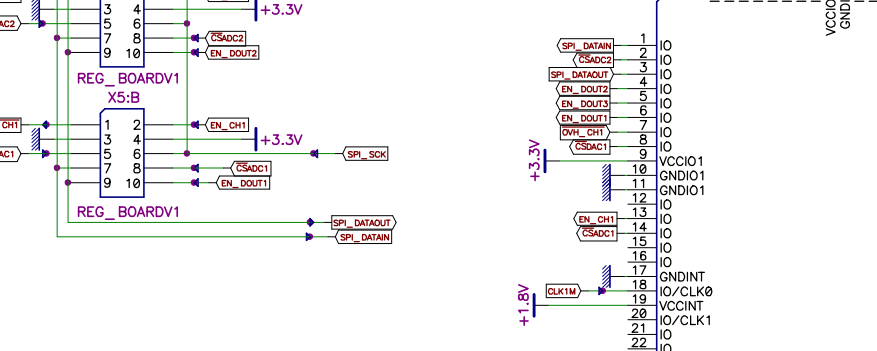
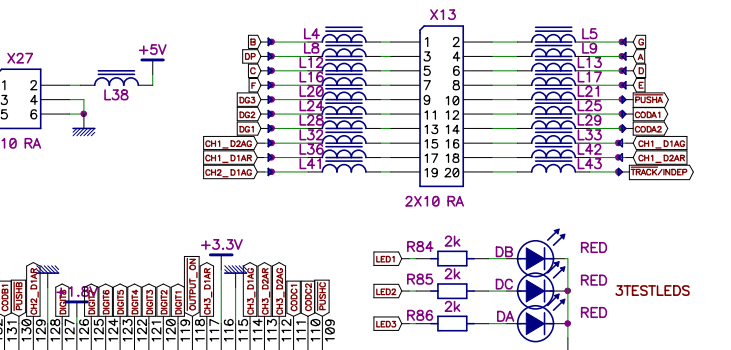
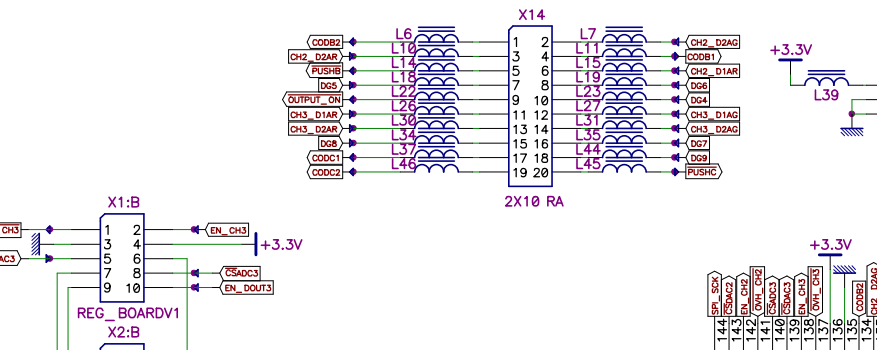
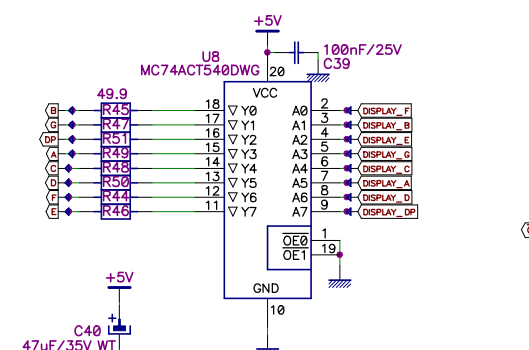
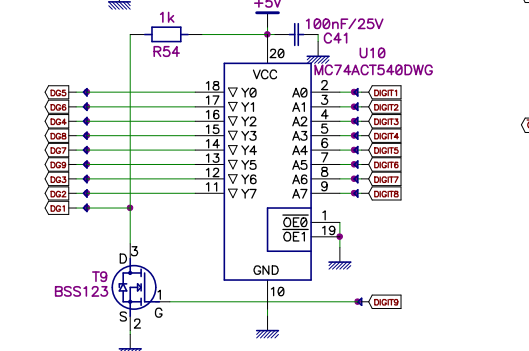
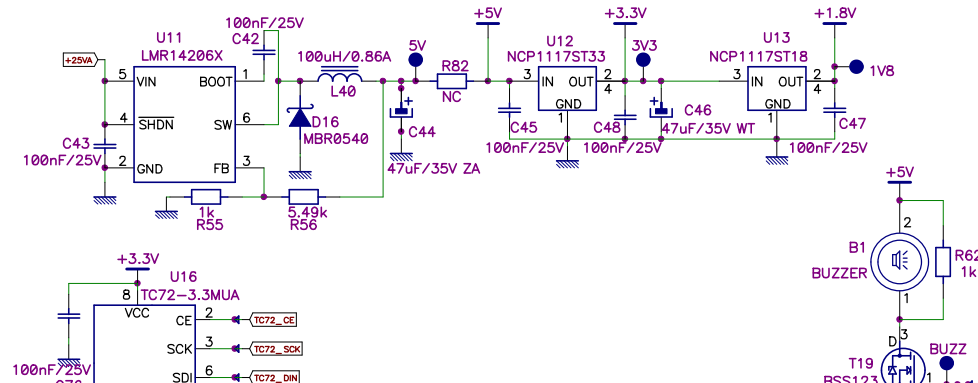
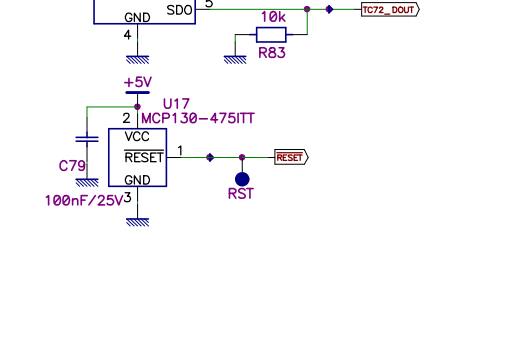
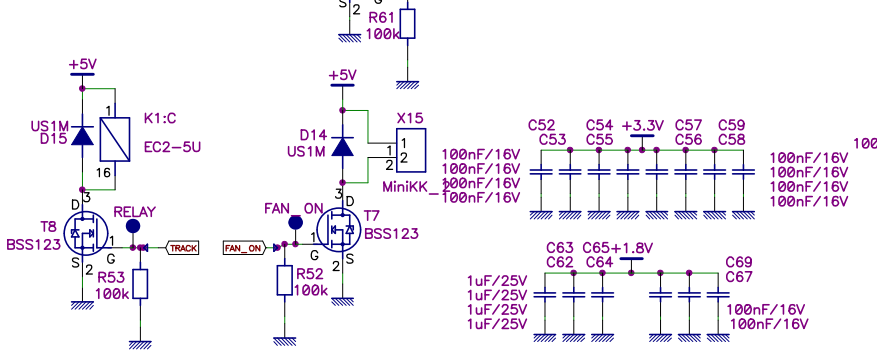
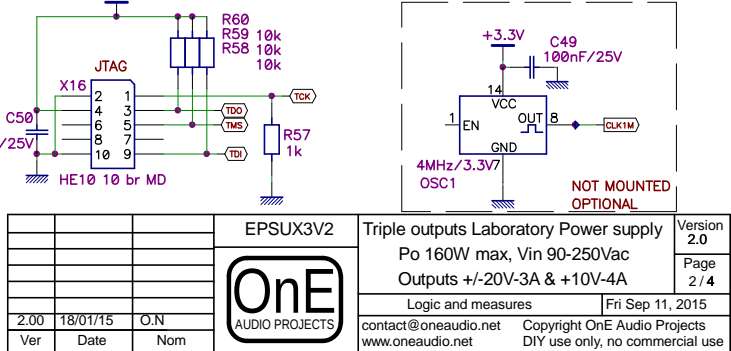
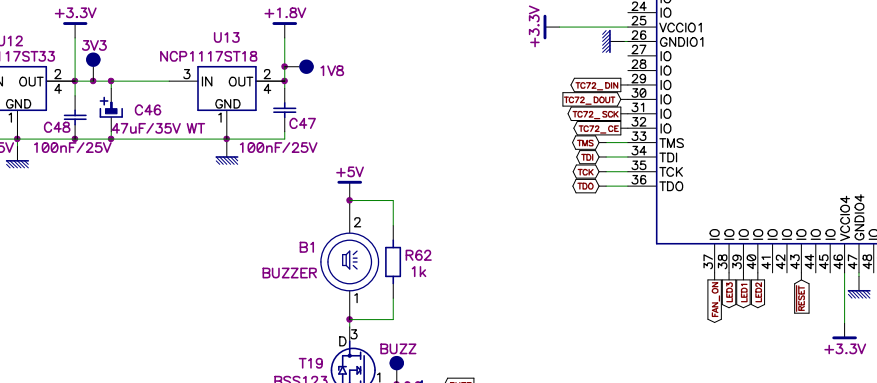
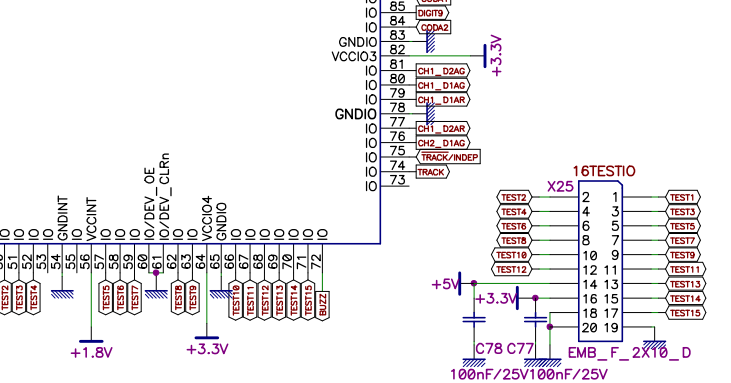
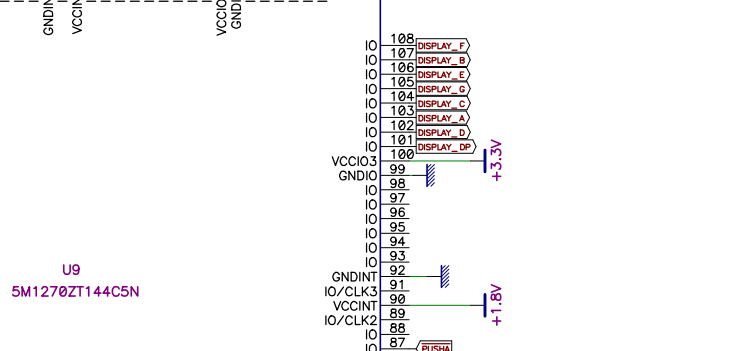
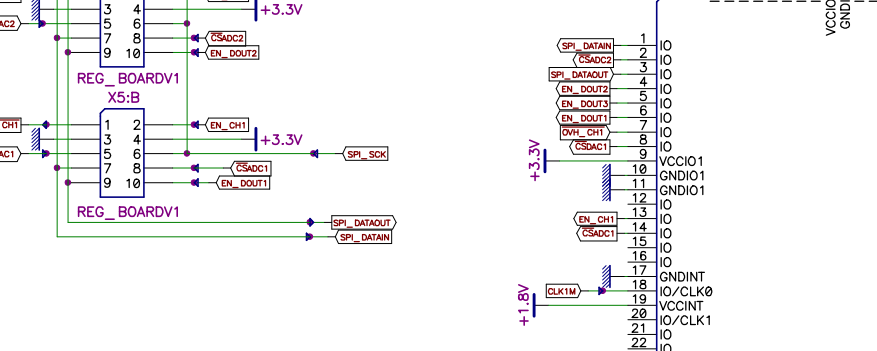
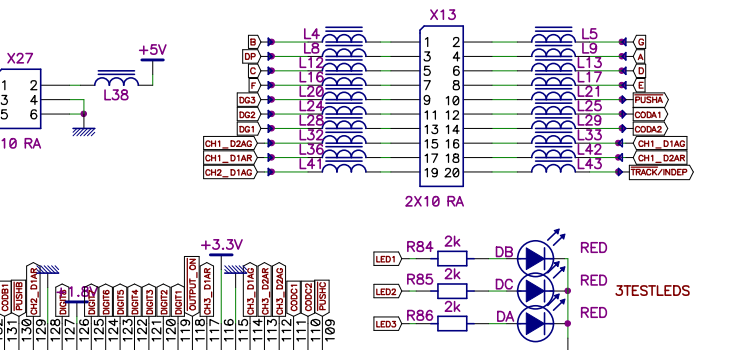
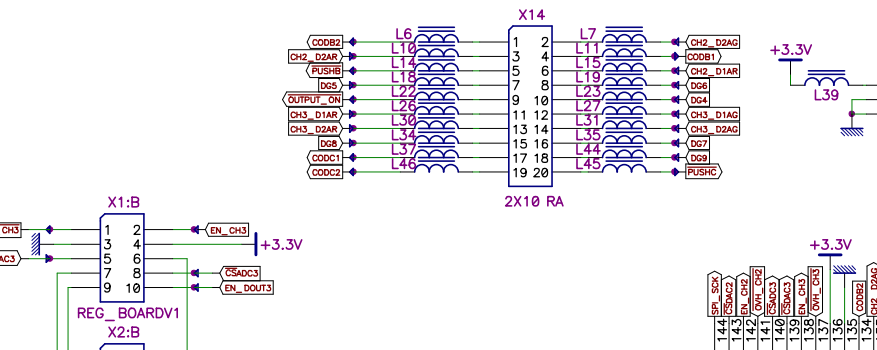
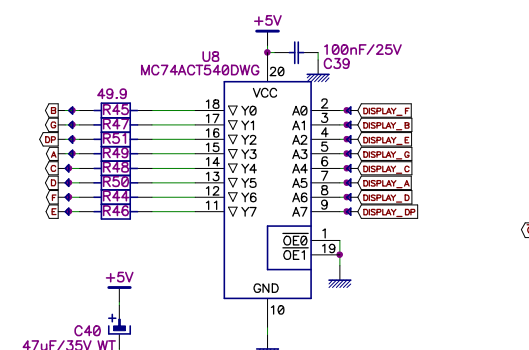
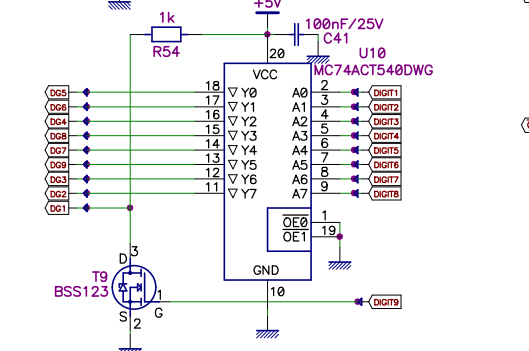
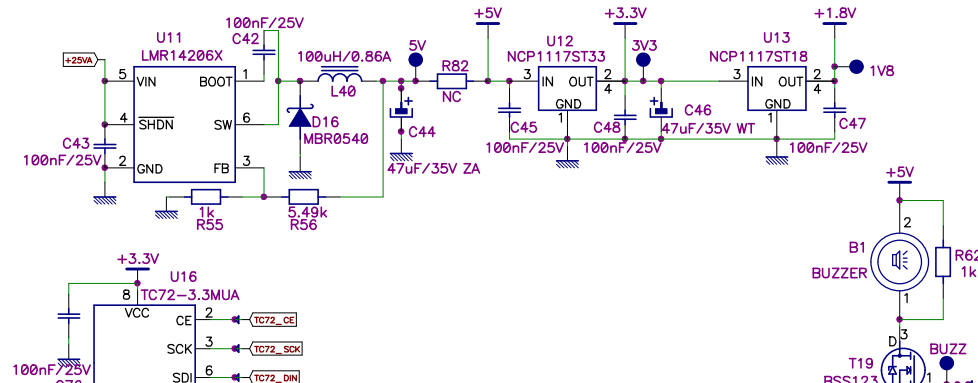
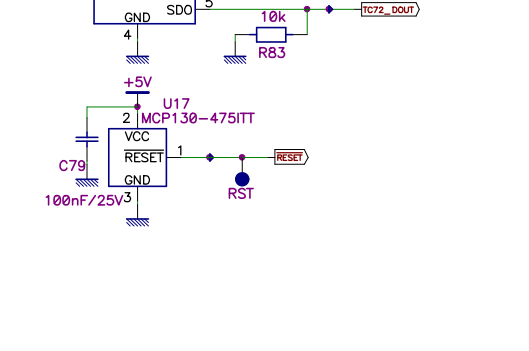
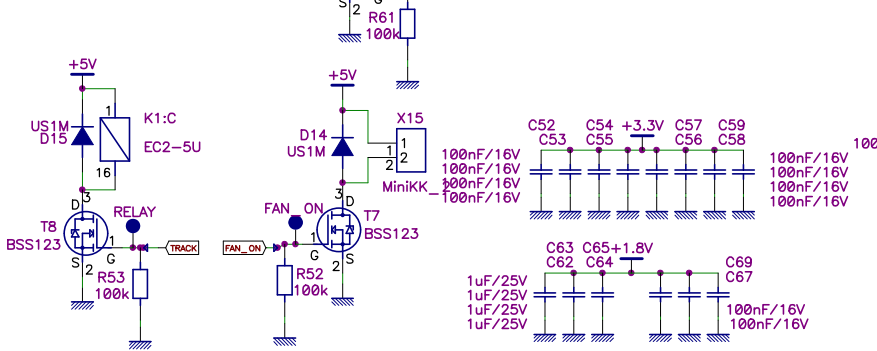
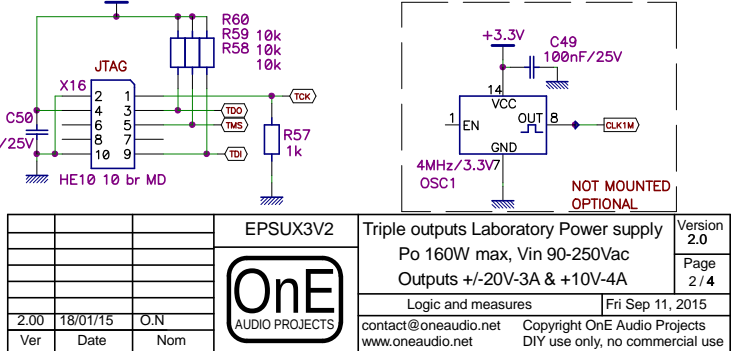
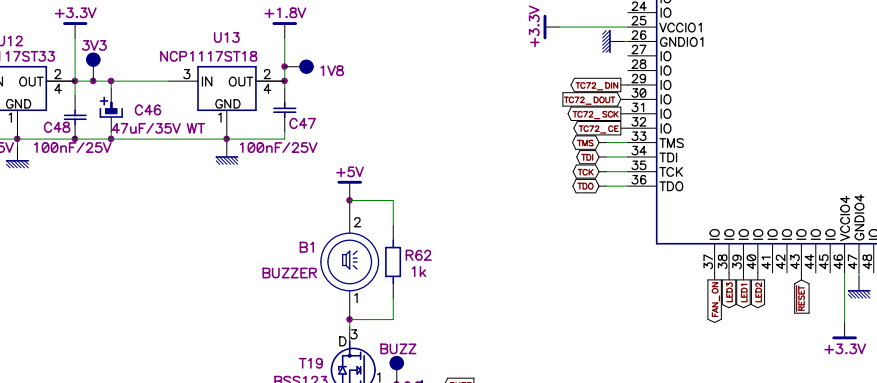
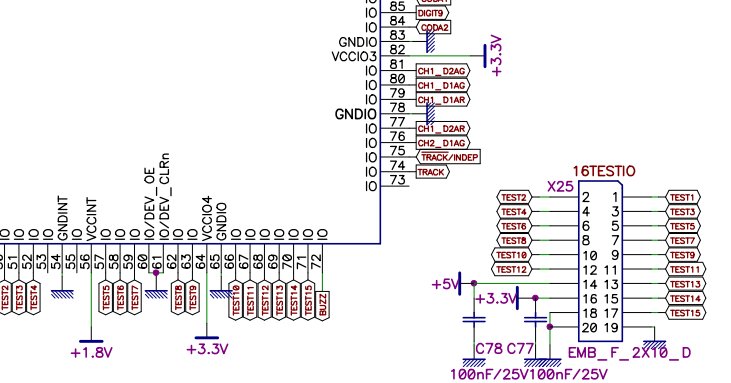
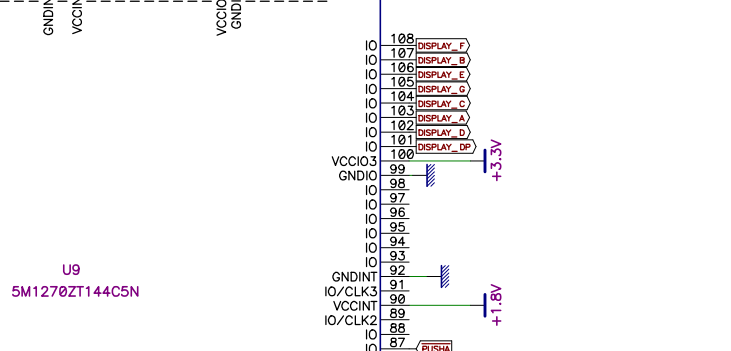
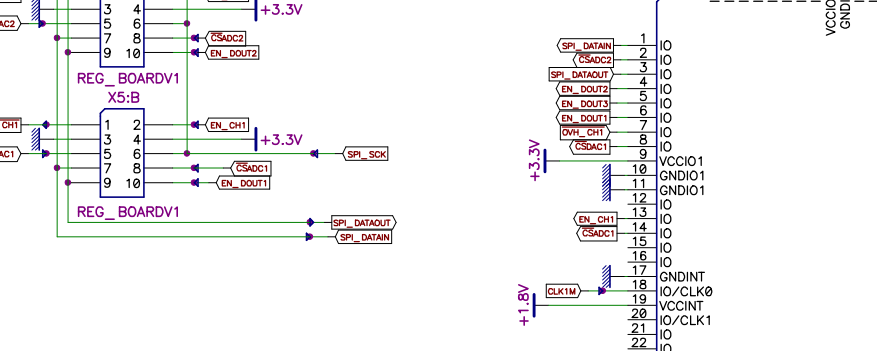
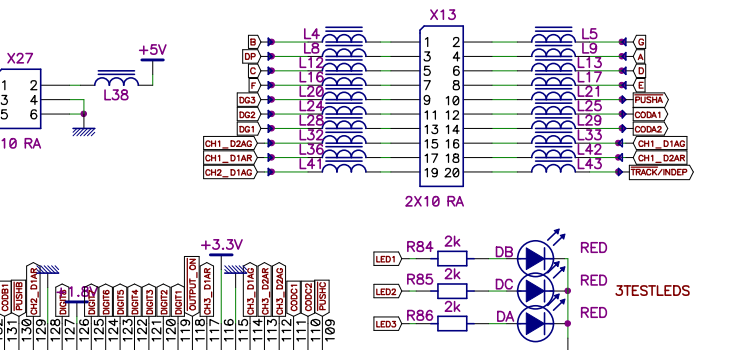
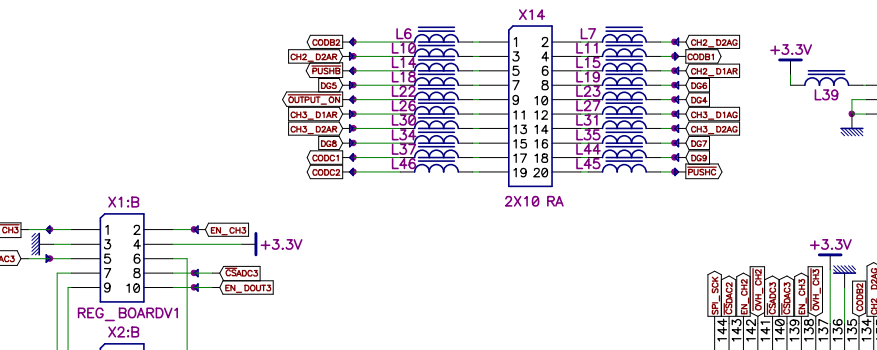
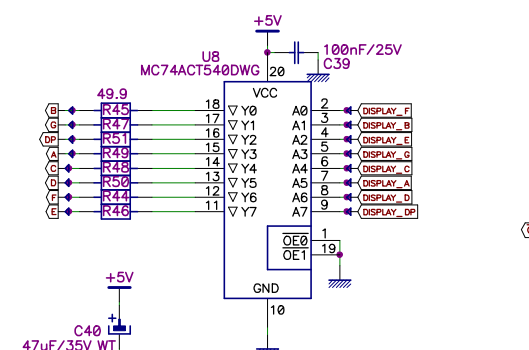
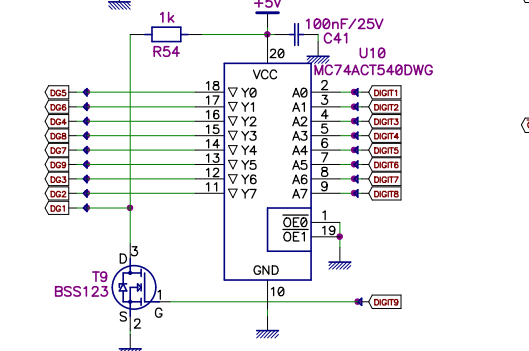
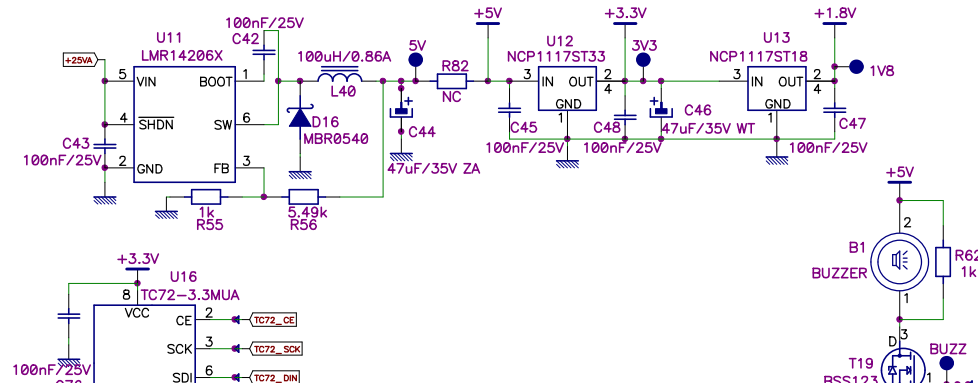
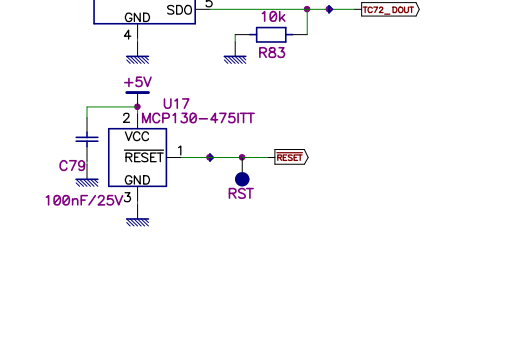
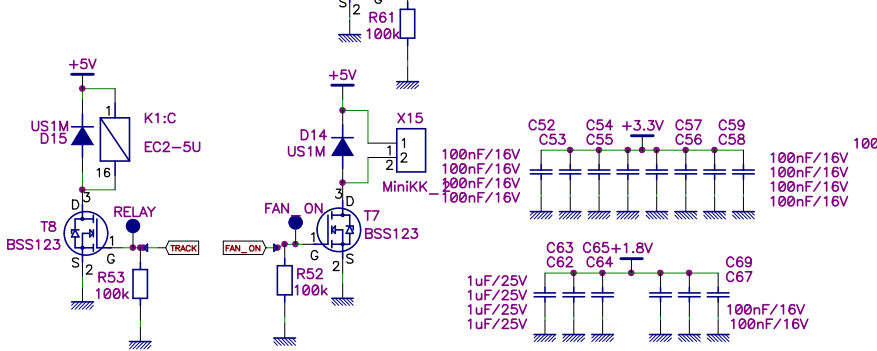
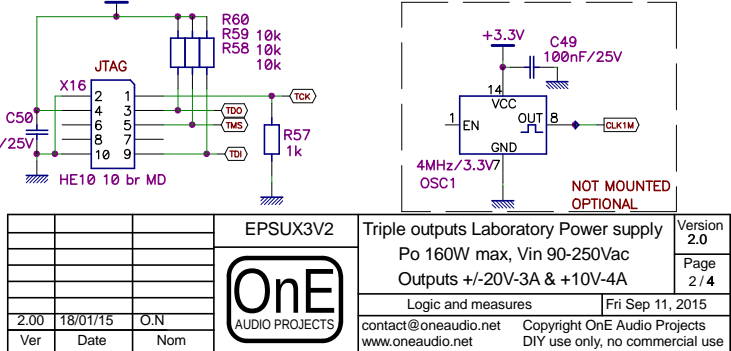
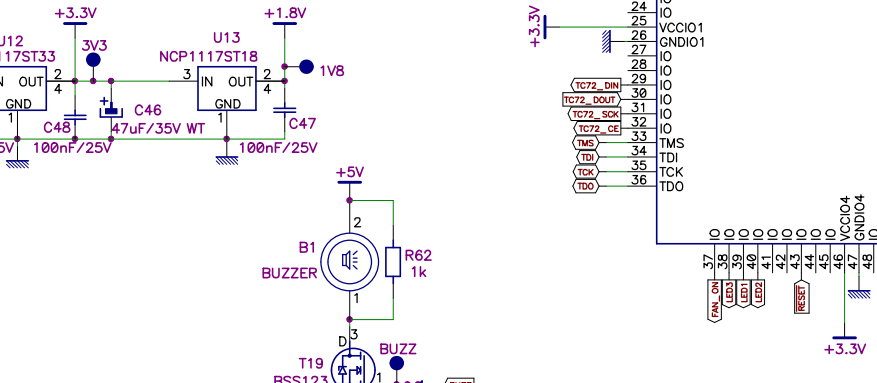
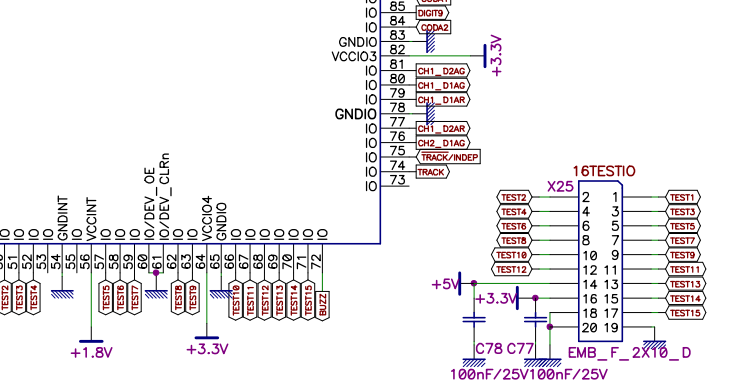
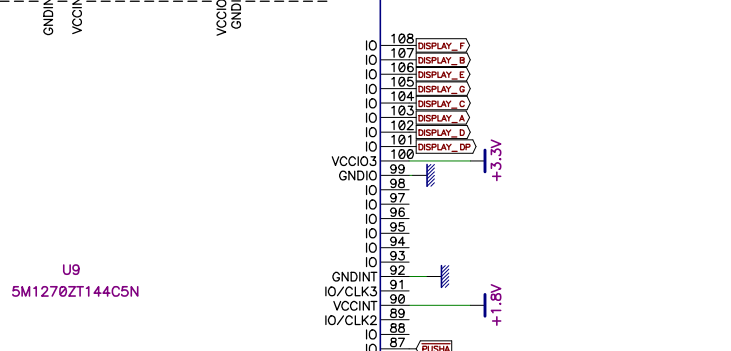
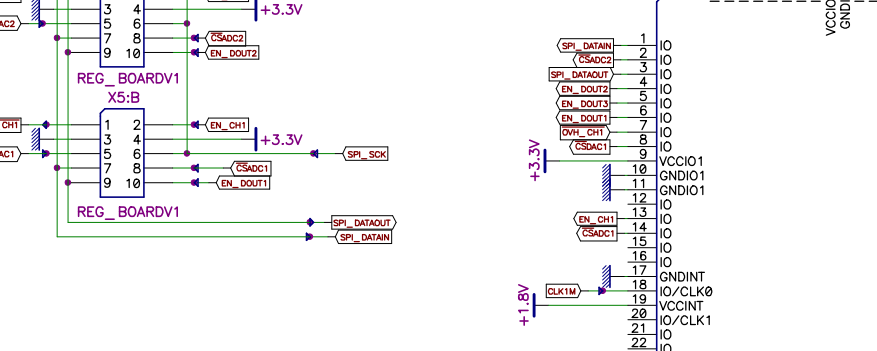
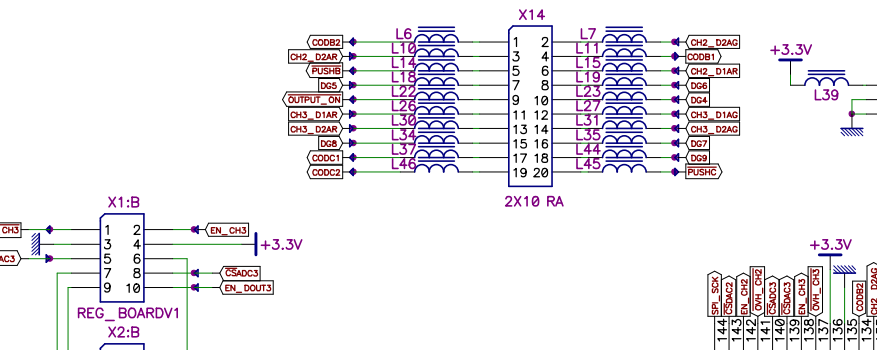
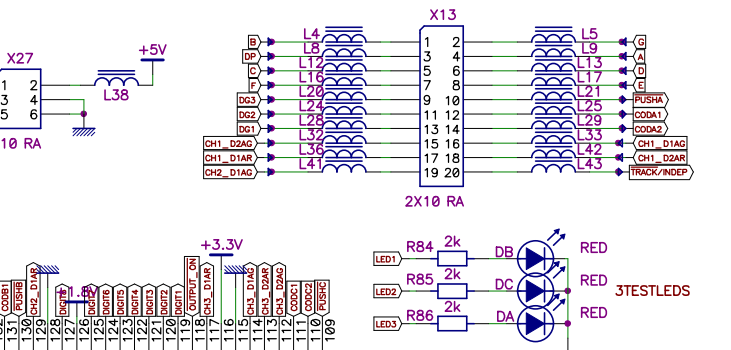
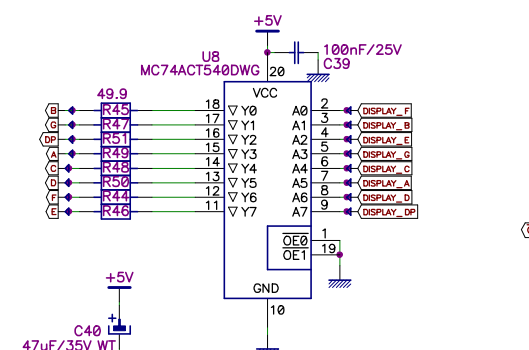
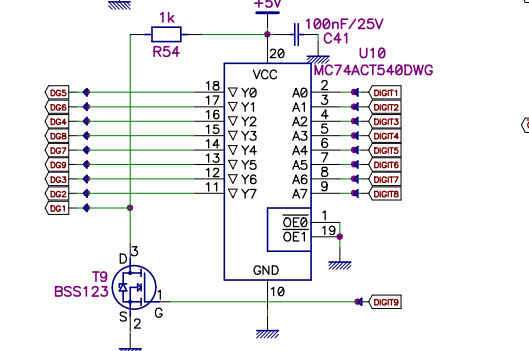
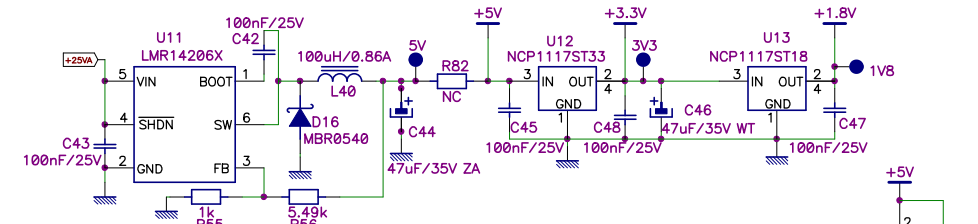
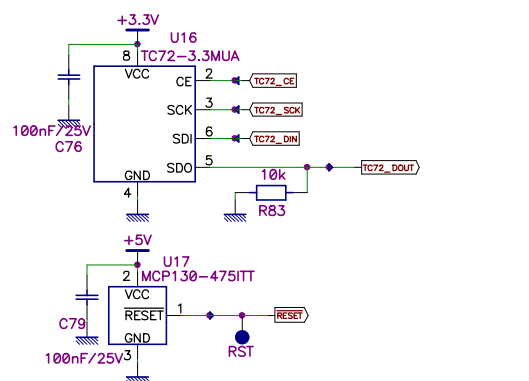
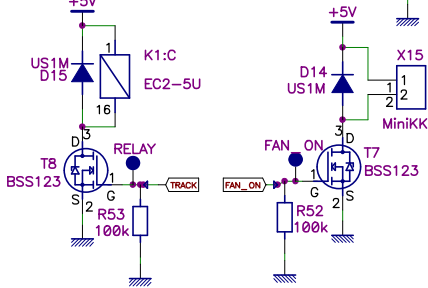
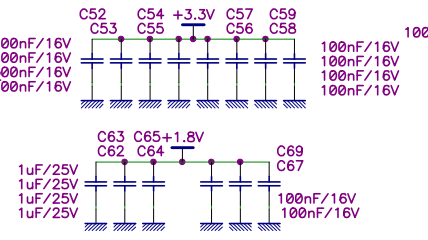
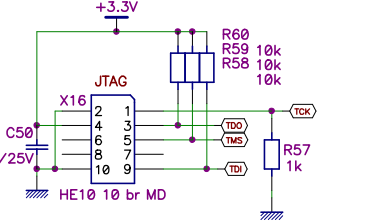
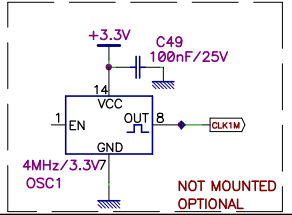


ISOLATION BARRIER

			EPSUX3V2		Triple outputs Laboratory Power supply		Version 2.0
			OnE		Po 160W max, Vin 90-250Vac		Page 1 / 4
					Outputs +/-20V-3A & +10V-4A		
					Flyback SMPS		Fri Sep 11, 2015
2.00			18/01/15		O.N		
Ver			Date		Nom		
					contact@oneaudio.net		Copyright OnE Audio Projects
					www.oneaudio.net		DIY use only, no commercial use




EPSUX3V2			Triple outputs Laboratory Power supply		Version 2.0
Po 160W max, Vin 90-250Vac			Outputs +/-20V-3A & +10V-4A		Page 2 / 4
Logic and measures			Fri Sep 11, 2015		
contact@oneaudio.net			Copyright OnE Audio Projects		
www.oneaudio.net			DIY use only, no commercial use		
2.00	18/01/15	O.N			
Ver	Date	Nom			



Power Table								
Ref Des	Device(Type)	Package	GND	+5V	+3.3V	DGND	+1.8V	+VCC +25VA
U1	NCP5304DR2G	SOIC8_N				4		3
U2	NCP1654BD133R2G	SOIC8_N				1		7
U3	STN1NK60Z	SOT223						3
U4	UCC25600D	SOIC8_N				6		7
U5	TL331IDB	SOT23_5L				2		5
U6	SFH6156-4T	DIP4_N_CMS				3		
U7	NCP431AVSN	SOT23_3L	3					
U8	MC74ACT540DWG	SOIC20_L	10,19,1	20				
U9	5M1270ZT144C5N	QFP144_0.5MM	60,61,99,92,83,78, 115,128,11,54,10,17, 26,135,65,47	20	100,82,116,136,64,46, 25,9		90,19,126,56	
U10	MC74ACT540DWG	SOIC20_L	10,19,1	20				
U11	LMR14206X	SOT23_6L	2					5,4
U12	NCP1117ST33	SOT223	1	3	4,2			
U13	NCP1117ST18	SOT223	1	3		4,2		
U16	TC72-3.3MUA	MSOP8	4	8				
U17	MCP130-475ITT	SOT23_3L	3	2				

Spare Gate Table		
Last Used	Not Used	Spare Gates
1V8	1V1, 1V2, 1V3, 1V4, 1V5, 1V6, 1V7	
2V5	2V1, 2V3, 2V4	
3V3	3V1, 3V2	
5V		
25V		
AF3		
B1		
BIAS		
BIAS_START		
BR1		
BUZZ		
C81	C51, C60, C61, C66, C68	
D32	D18, D19, D20, D21, D22, D23, D24, D25	
DA		
DB		
DC		
DRV		
EARTH		
FAN_ON		
FBK		
GA		
GB		
K1		
KLED		
L46		
N		
OC		
OSC1		
PH		
PT6	PT2, PT3, PT4	
R94	R37, R63, R87, R88	
RAD4		
RELAY		
RST		
S5		
SUP_F1		
T19		
TR1		
U17	U14, U15	
VR2		
X27	X3, X4, X6	
LLC		

Net Index Table		Sheets	
Net Name	Logic and measures	ID	7D
A	Logic and measures	1D	8D
B	Logic and measures	1D	7D
BUZZ	Logic and measures	4B	
C	Logic and measures	1D	7D
CH1_DIAG	Logic and measures	8D	
CH1_DIAR	Logic and measures	7D	
CH1_DZAG	Logic and measures	7D	
CH1_DZAR	Logic and measures	8D	
CH2_DIAG	Logic and measures	7D	
CH2_DIAR	Logic and measures	5D	
CH2_DZAG	Logic and measures	5D	
CH2_DZAR	Logic and measures	4D	
CH3_DIAG	Logic and measures	5D	
CH3_DIAR	Logic and measures	4D	
CH3_DZAG	Logic and measures	5D	
CH3_DZAR	Logic and measures	4D	
CLK1M	Logic and measures	8A	5C
CODA1	Logic and measures	8D	
CODB1	Logic and measures	8D	
CODC1	Logic and measures	4D	
CODD1	Logic and measures	4D	
CODC2	Logic and measures	4D	
D	Logic and measures	1D	8D
DG1	Logic and measures	1C	7D
DG2	Logic and measures	1C	7D
DG3	Logic and measures	1C	7D
DG4	Logic and measures	1C	5D
DG5	Logic and measures	1C	4D
DG6	Logic and measures	1C	5D
DG7	Logic and measures	1C	4D
DG8	Logic and measures	1C	4D
DG9	Logic and measures	1C	5D
DIG11	Logic and measures	2C	
DIG12	Logic and measures	2C	
DIG13	Logic and measures	2C	
DIG14	Logic and measures	2C	
DIG15	Logic and measures	2C	
DIG16	Logic and measures	2C	
DIG17	Logic and measures	2C	
DIG18	Logic and measures	2C	
DIG19	Logic and measures	2C	
DISPLAY_A	Logic and measures	2D	
DISPLAY_B	Logic and measures	2D	
DISPLAY_C	Logic and measures	2D	
DISPLAY_D	Logic and measures	2D	
DISPLAY_DP	Logic and measures	2D	
DISPLAY_E	Logic and measures	2D	
DISPLAY_F	Logic and measures	2D	
DISPLAY_G	Logic and measures	2D	
DP	Logic and measures	1D	7D
E	Logic and measures	1D	8D
EN_CH1	Logic and measures	3C	
EN_CH2	Logic and measures	3C	
EN_CH3	Logic and measures	3C	
EN_DOUT1	Logic and measures	3C	
EN_DOUT2	Logic and measures	3C	
EN_DOUT3	Logic and measures	3C	
F	Logic and measures	1D	7D
FAN_ON	Logic and measures	4A	
G	Logic and measures	1D	8D
SPI_DATAIN	Logic and measures	4C	
SPI_DATAOUT	Logic and measures	4C	
SPI_SCK	Logic and measures	4C	
TC72_CE	Logic and measures	1B	
TC72_DIN	Logic and measures	1B	
TC72_DOUT	Logic and measures	2A	
TC72_SCK	Logic and measures	1B	
TRACK	Logic and measures	3A	
CSADC1	Logic and measures	3C	
CSADC2	Logic and measures	3C	
CSADC3	Logic and measures	3C	
CSDAC1	Logic and measures	3C	
CSDAC2	Logic and measures	3C	
CSDAC3	Logic and measures	3D	
OUTPUT_ON	Logic and measures	4D	
OVH_CH1	Logic and measures	3C	
OVH_CH2	Logic and measures	3C	
OVH_CH3	Logic and measures	3D	
PUSHA	Logic and measures	8D	
PUSHB	Logic and measures	4D	
PUSHC	Logic and measures	5D	
RESET	Logic and measures	1A	
TRACK/INDEP	Logic and measures	8D	

		EPSUX3V2		Triple outputs Laboratory Power supply		Version 2.0	
				Po 160W max, Vin 90-250Vac		Page 4 / 4	
				Outputs +/-20V-3A & +10V-4A			
				Tables 2		Fri Sep 11, 2015	
2.00		18/01/15		O.N			
Ver		Date		Nom			
						contact@oneaudio.net Copyright OnE Audio Projects www.oneaudio.net DIY use only, no commercial use	