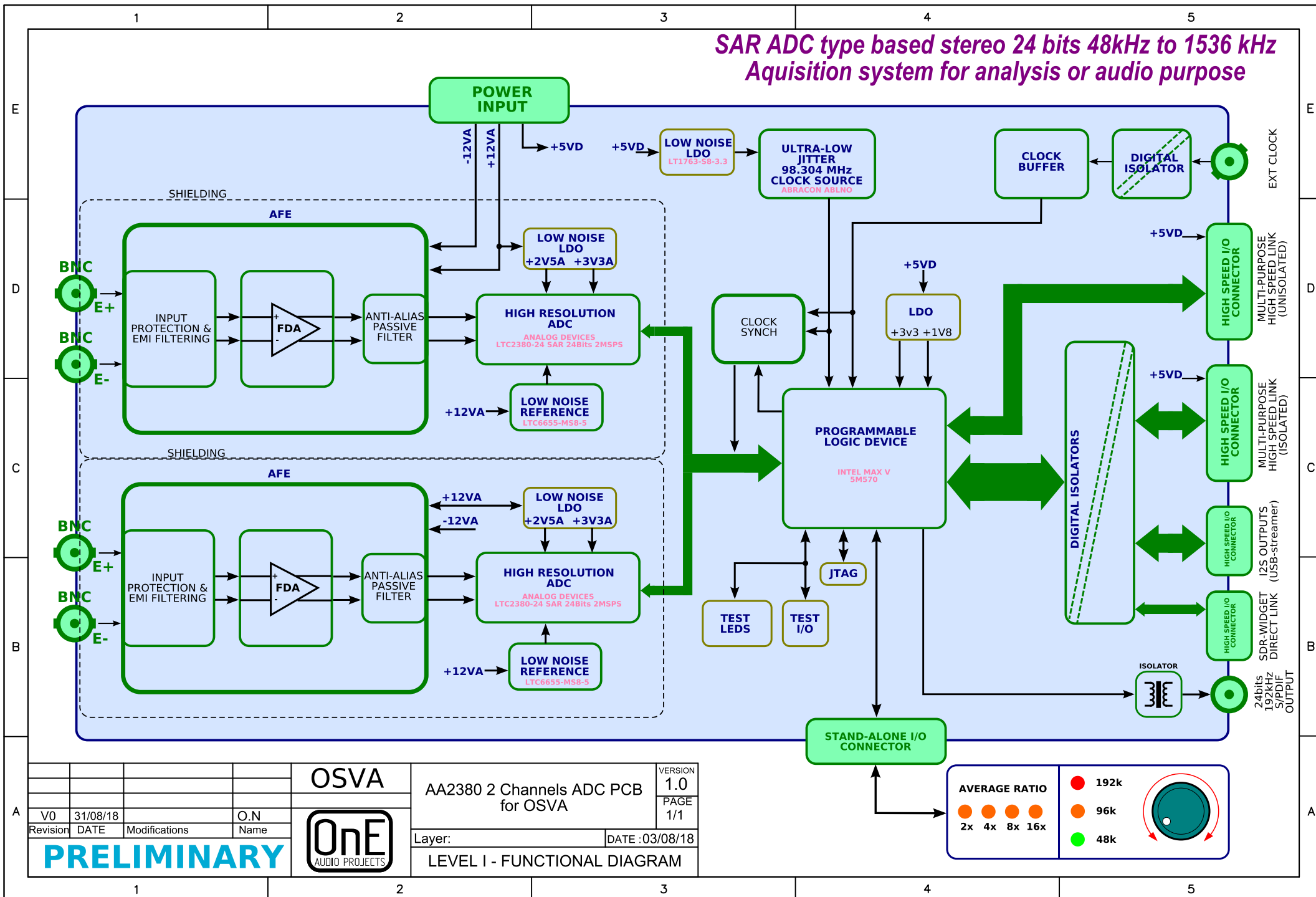


OSVA - AA2380 ADC PCB Functional synoptic

SAR ADC type based stereo 24 bits 48kHz to 1536 kHz
Aquisition system for analysis or audio purpose



V0	31/08/18		O.N
Revision	DATE	Modifications	Name
PRELIMINARY			

OSVA		AA2380 2 Channels ADC PCB for OSVA	VERSION 1.0
One AUDIO PROJECTS			PAGE 1/1
Layer:		DATE : 03/08/18	
LEVEL I - FUNCTIONAL DIAGRAM			

AVERAGE RATIO		● 192k		
● 2x	● 4x	● 8x		● 16x
● 96k				
● 48k				