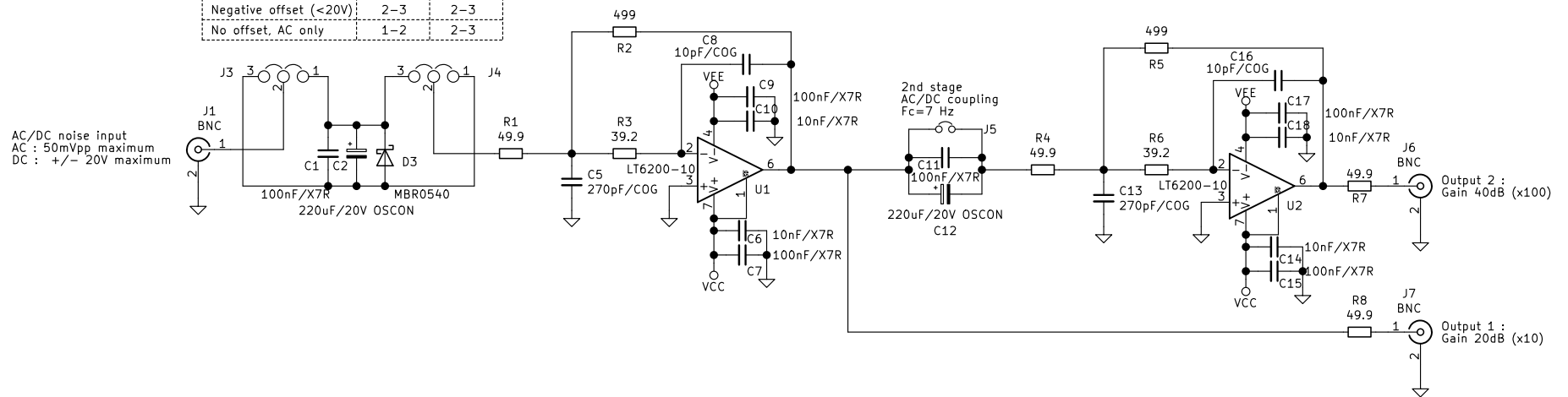


Filter type Butterworth
 Order 4, Gain=100 (+40dB)
 F low -3dB = 20 Hz
 Fhigh -3dB = 20MHz

Output2 .10Hz-20MHz noise : <1mVrms (10µV referred to input)
 Spectral noise density # 2.2nV/√Hz

JUMPERS SETTINGS TABLE

INPUT MODE	J3	J4
Positive offset (<20V)	1-2	1-2
Negative offset (<20V)	2-3	2-3
No offset, AC only	1-2	2-3



BOX1
 Case_1590LLB_Hammond

10Hz -- 20 MHz / 20dB and 40dB output
OnE Audio Projects

Sheet: /

Title: Wide bandwidth low noise amplifier

Size: A4 Date: 2019-08-30

Rev: 1.0

File: _WBLNA.sch

SHEET : 1/1



www.oneaudio.net

contact@oneaudio.net