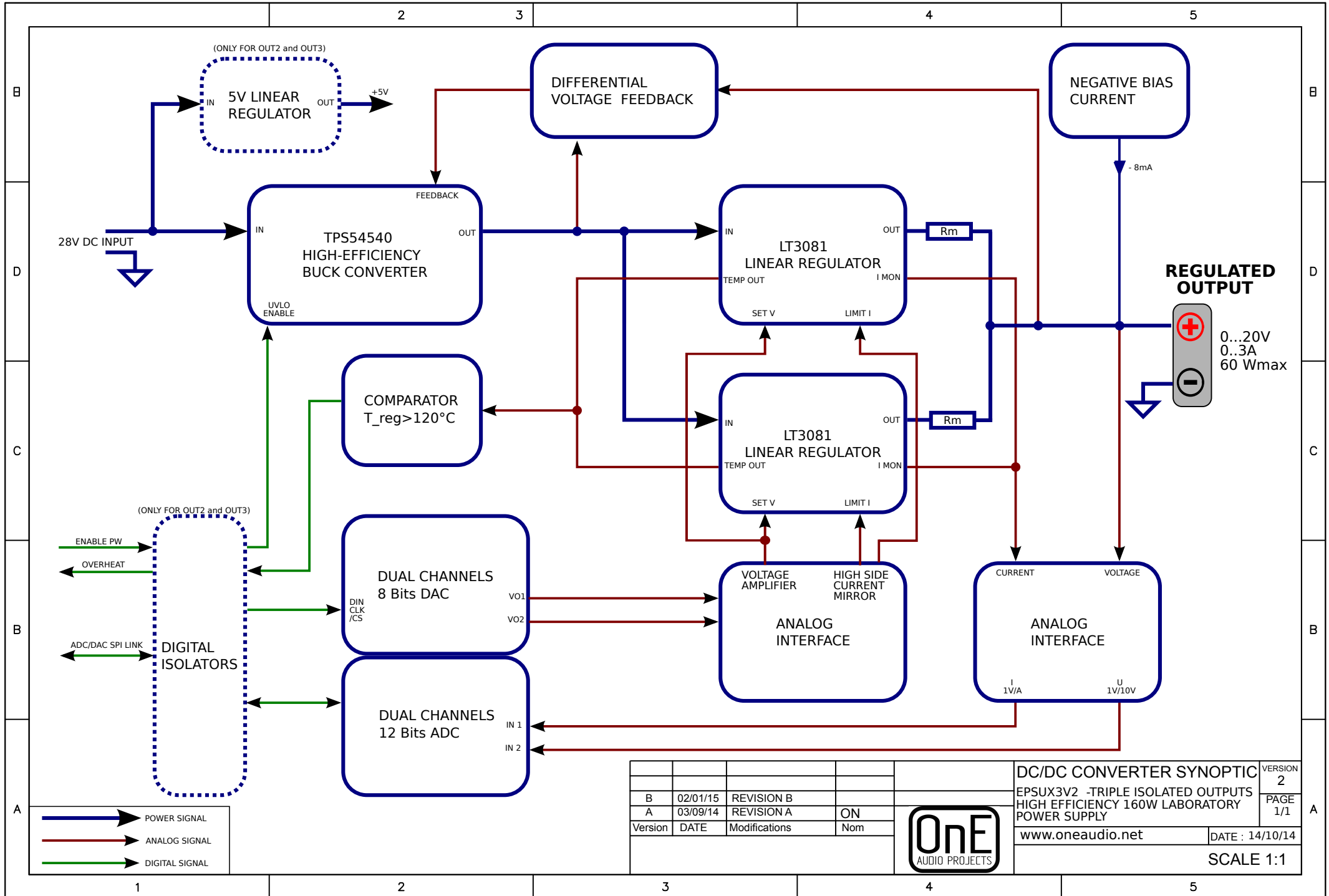


EPSUX3V2 DC/DC BLOCK SYNOPTIC - REV B



Version	DATE	Modifications	Nom
B	02/01/15	REVISION B	
A	03/09/14	REVISION A	ON



DC/DC CONVERTER SYNOPTIC		VERSION 2
EPSUX3V2 - TRIPLE ISOLATED OUTPUTS HIGH EFFICIENCY 160W LABORATORY POWER SUPPLY		PAGE 1/1
www.oneaudio.net	DATE : 14/10/14	
SCALE 1:1		