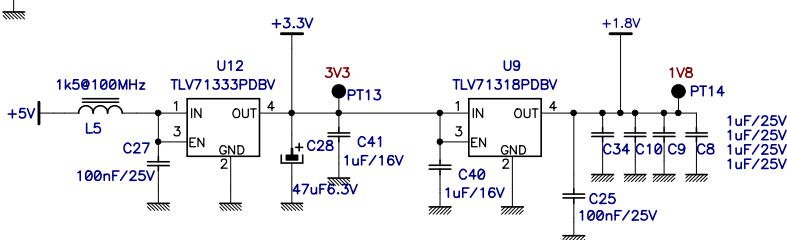
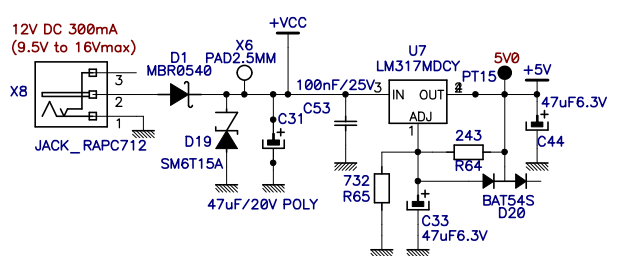
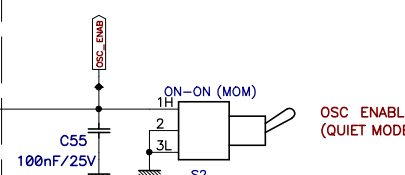
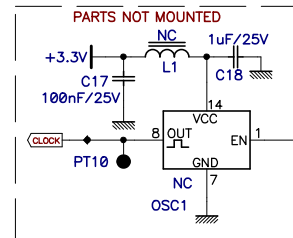
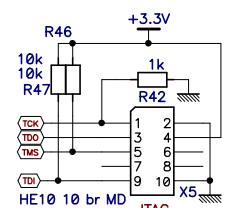
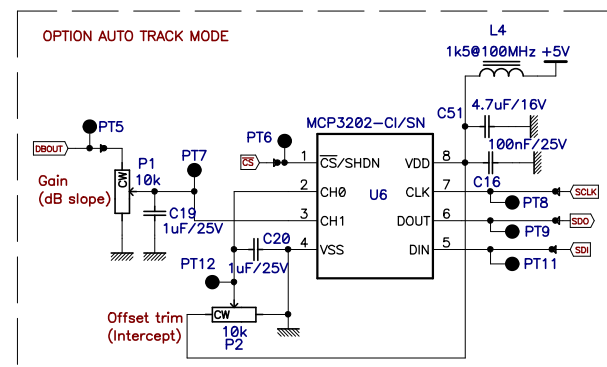
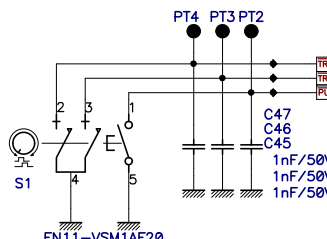
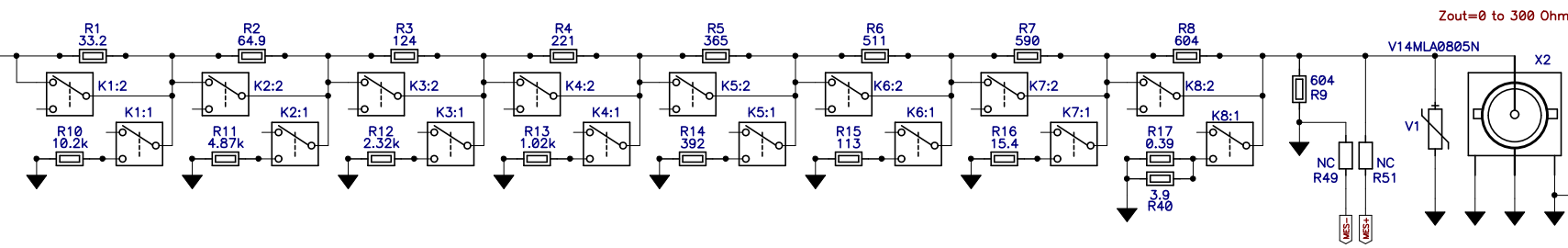
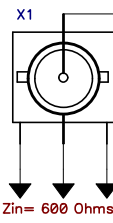


**CONFIG JUMPERS**  
 JUMPER between pin 9 and 10 allow to enter in calibration mode : 0/-80dB attenuation each 10s

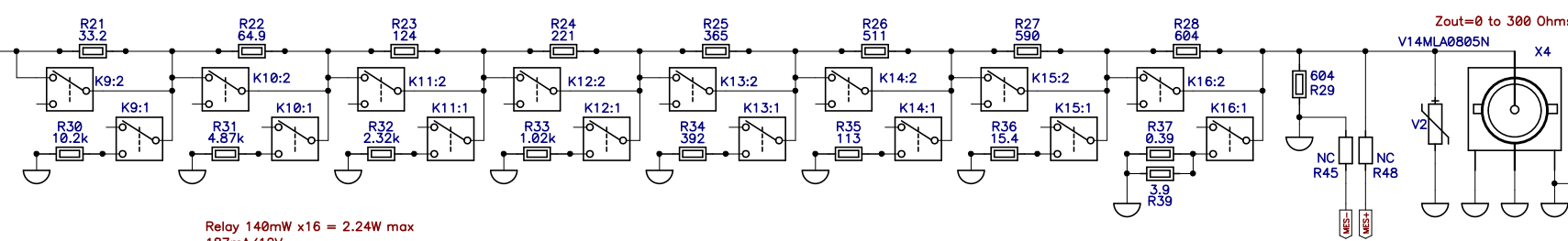
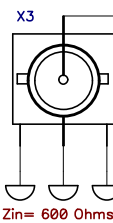


Ver			Date			Nom			AT2380			DIY 0 to -127.5dB Digital 2 channels Stepped attenuator			Version 2.0 Page 1/3		
Sheet 1									Wed Dec 20, 2017								
e-mail: contact@oneaudio.net												www.oneaudio.net					

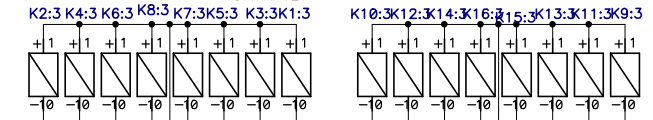
**CHANNEL 1**



**CHANNEL 2**



Relay 140mW x16 = 2.24W max  
187mA/12V

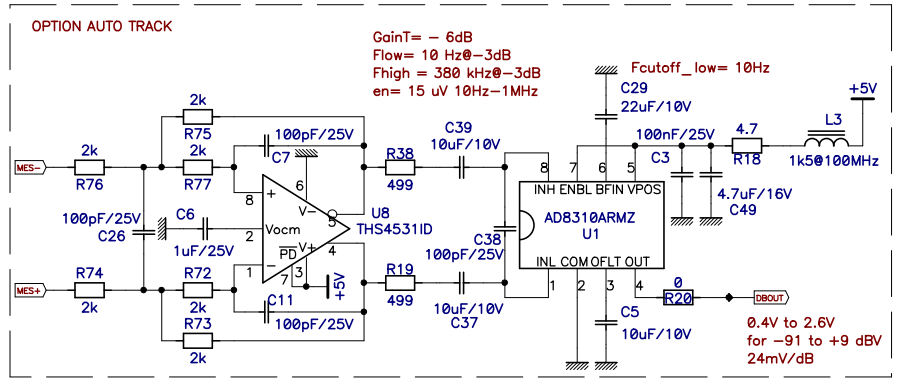
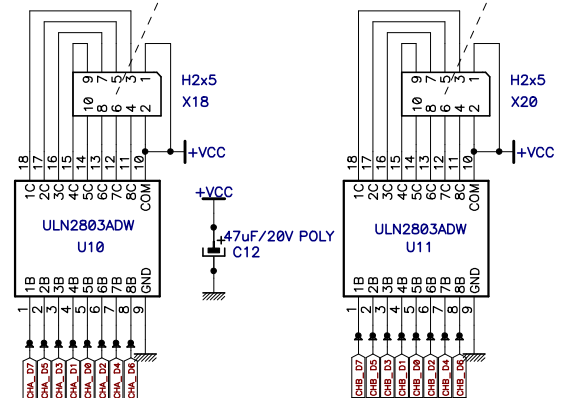


H2x5 X19

X21 H2x5

Flat wires on bottom

Flat wires on bottom



GainT = -6dB  
Flow = 10 Hz @ -3dB  
Fhigh = 380 kHz @ -3dB  
en = 15 uV 10Hz-1MHz

Fcutoff\_low = 10Hz

0.4V to 2.6V  
for -91 to +9 dBV  
24mV/dB